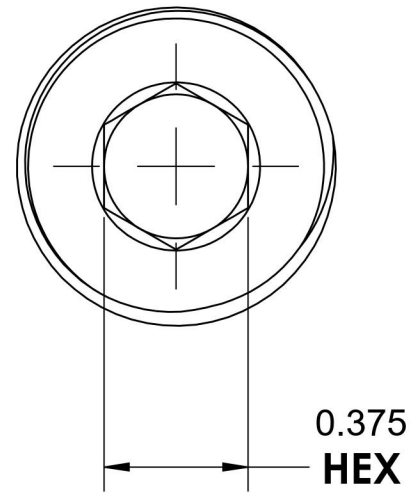
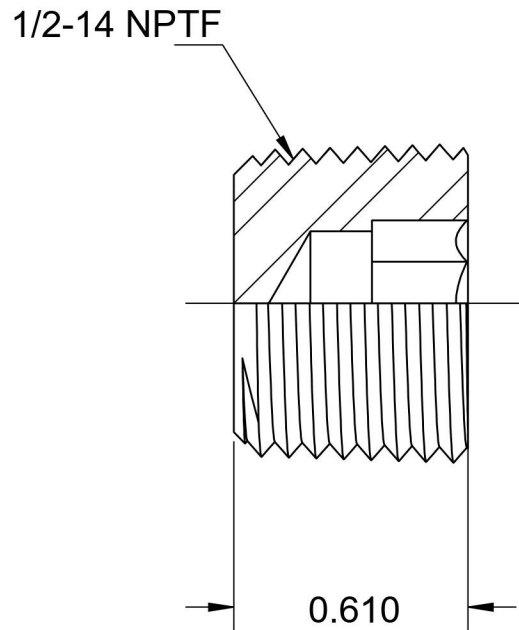
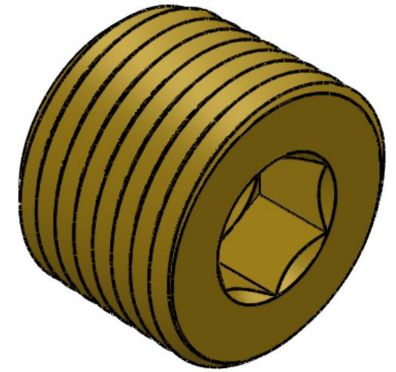


5406-HP-08-B

Brass, SAE J531 Pipe Hollow Hex Plug, 1/2" Male NPTF



6701 Cochran Road
Solon, Ohio 44139
Phone: (440) 248-1880
Toll Free: 1-888-331-1523

Temperature Rating -325°F to 400°F	Material C36000 Brass	Industry Standards SAE J531, SAE J476	Series 5406-HP-B
Pressure Rating 3300 psi	Finish Natural Finish		Series Description SAE J531 Pipe Hollow Hex Plug