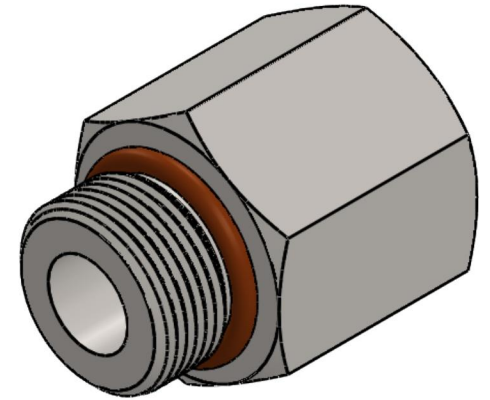
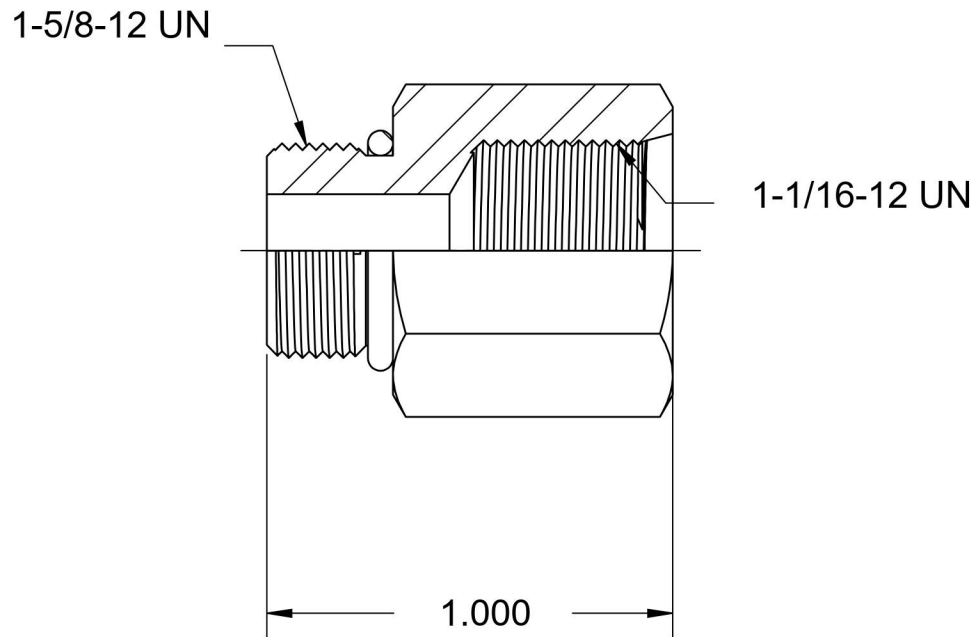
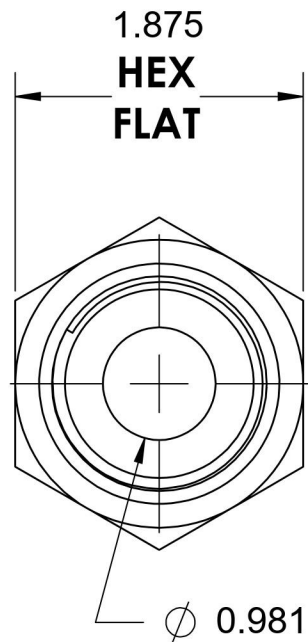


6410-20-12-O-VITON

Steel, SAE J1926 O-Ring Boss Reducer, 1-5/8-12 Male ORB x 1-1/16-12 Female ORB, FKM Seal



6701 Cochran Road
Solon, Ohio 44139
Phone: (440) 248-1880
Toll Free: 1-888-331-1523

Temperature Rating	Material	Industry Standards	Series
-15°F to 400°F	C1045 / 12L14 Steel	SAE J1926-3, SAE J515 ASTM B633	6410-O-VITON
Pressure Rating	Finish		Series Description
4000 psi	Trivalent Zinc		SAE J1926 O-Ring Boss Reducer