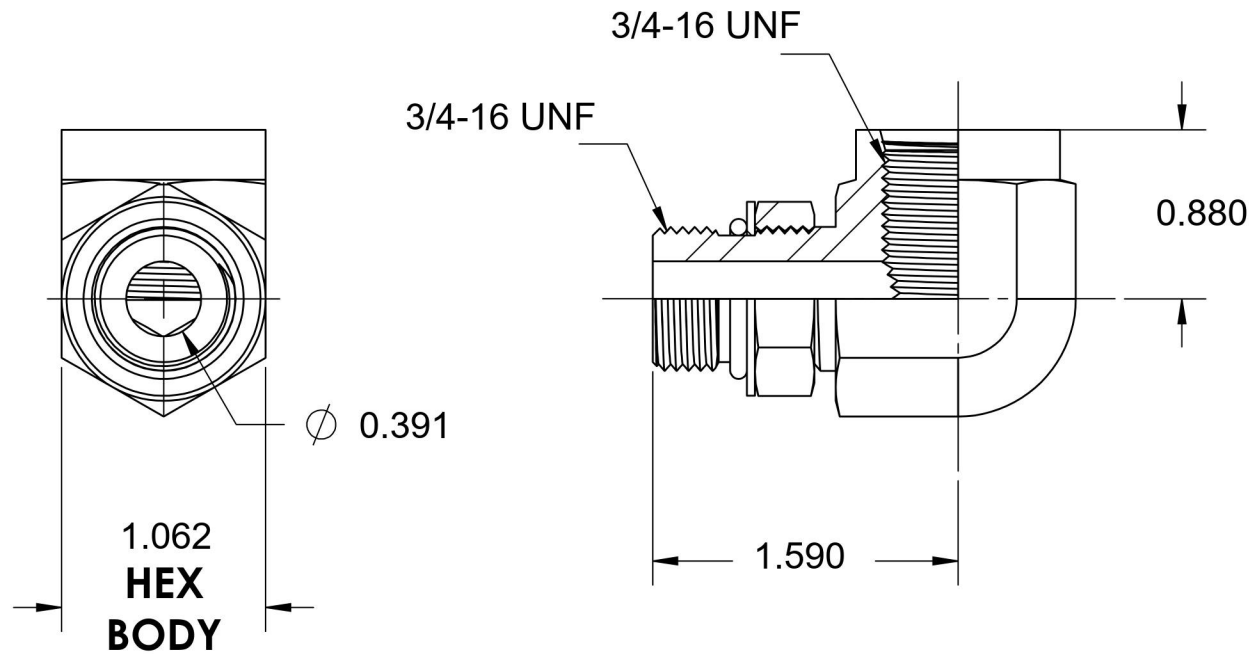
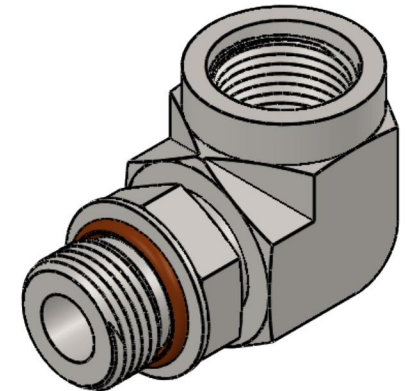
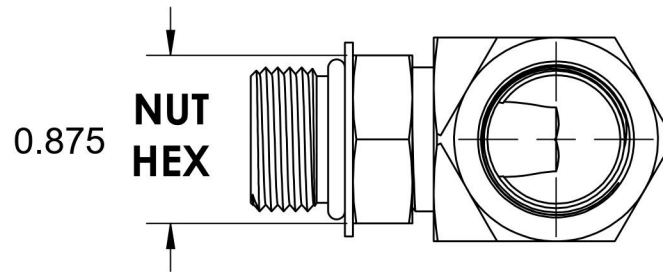


6815-08-08-NWO-FG-VITON

Steel, SAE J1926 Adjustable O-Ring Boss 90° Female Port Elbow, 3/4-16 Male Adjustable ORB x 3/4-16 Female ORB, FKM Seal



6701 Cochran Road
Solon, Ohio 44139
Phone: (440) 248-1880
Toll Free: 1-888-331-1523

Temperature Rating	Material	Industry Standards	Series
-15°F to 400°F	C1045 Steel	SAE J1926-1,-3, SAE J515 ASTM B633	6815-NWO-FG-VITON
Pressure Rating	Finish		Series Description
4000 psi	Trivalent Zinc		SAE J1926 Adjustable O-Ring Boss 90° Female Port Elbow