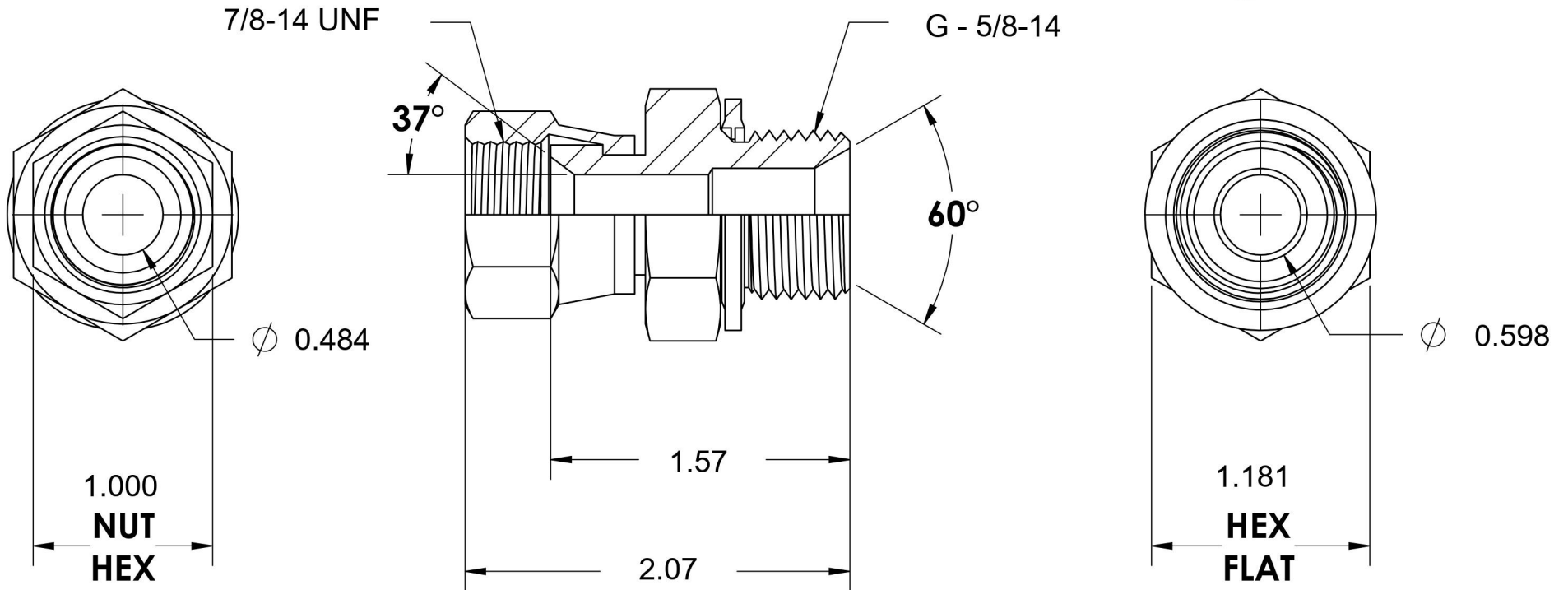


7022-10-10-BS

Steel, SAE J514 37° Flare Swivel BSPP Type (D) Bonded Seal Port/Line Connector, 5/8" Female JIC Swivel x 5/8-14 Male BSPP 60° Line/Port



6701 Cochran Road
Solon, Ohio 44139
Phone: (440) 248-1880
Toll Free: 1-888-331-1523

| | | | |
|---|--|---|---|
| Temperature Rating -40°F to 250°F | Material C1045 / 12L14 Steel | Industry Standards SAE J514, ISO 1179 | Series 7022-BS |
| Pressure Rating 2900 psi | Finish Trivalent Zinc | ISO 8434-6, ASTM B633 | Series Description SAE J514 37° Flare Swivel BSPP Type (D) Bonded Seal Port/Line Connector |