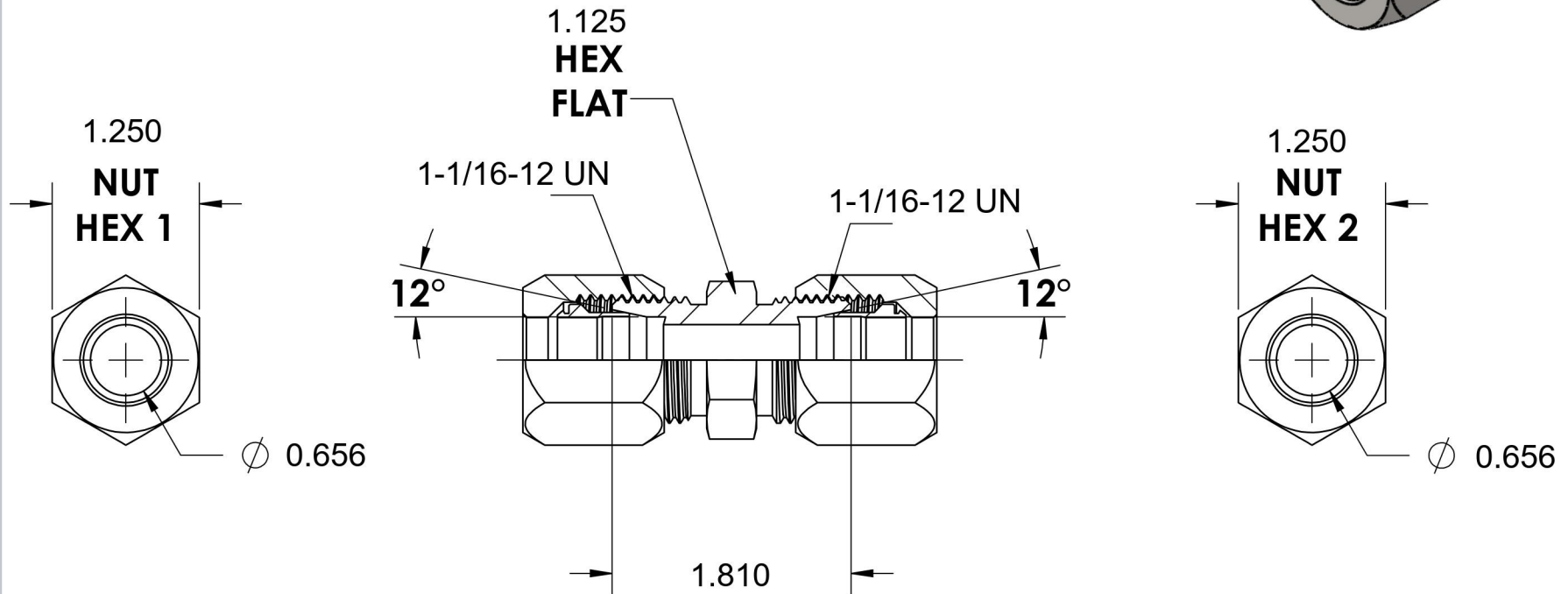


C2403-12-12

Steel, SAE J514 Flareless Tube Union, 3/4" Flareless Bite Type x 3/4" Flareless Bite Type



6701 Cochran Road
Solon, Ohio 44139
Phone: (440) 248-1880
Toll Free: 1-888-331-1523

Temperature Rating	Material	Industry Standards SAE J514, ASTM B633	Series C2403
Pressure Rating 4500 psi	Finish Trivalent Zinc		Series Description SAE J514 Flareless Tube Union