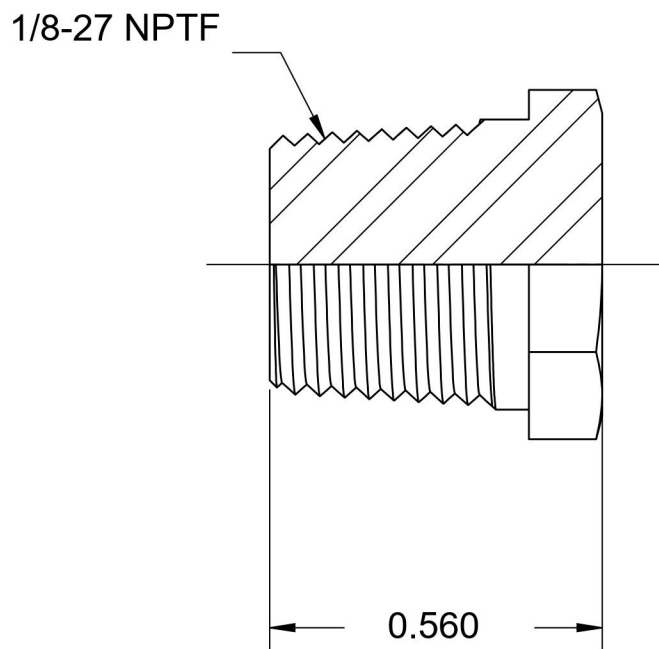
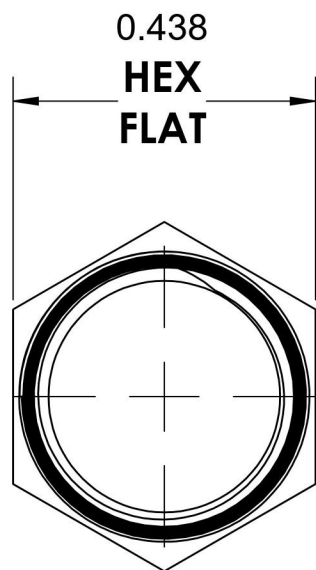
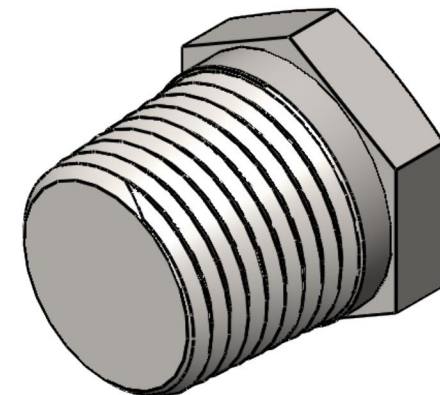


5406-P-02

Steel, SAE J531 Pipe Hex Head Plug, 1/8" Male NPTF



6701 Cochran Road
Solon, Ohio 44139
Phone: (440) 248-1880
Toll Free: 1-888-331-1523

Temperature Rating -65°F to 500°F	Material C1045 / 12L14 Steel	Industry Standards SAE J531, SAE J476 ASTM B633	Series 5406-P
Pressure Rating 6000 psi	Finish Trivalent Zinc		Series Description SAE J531 Pipe Hex Head Plug