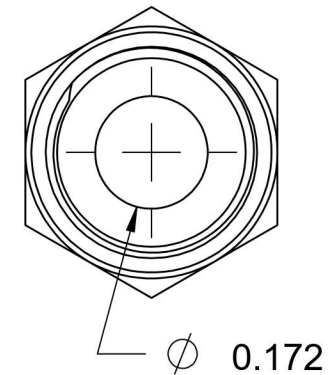
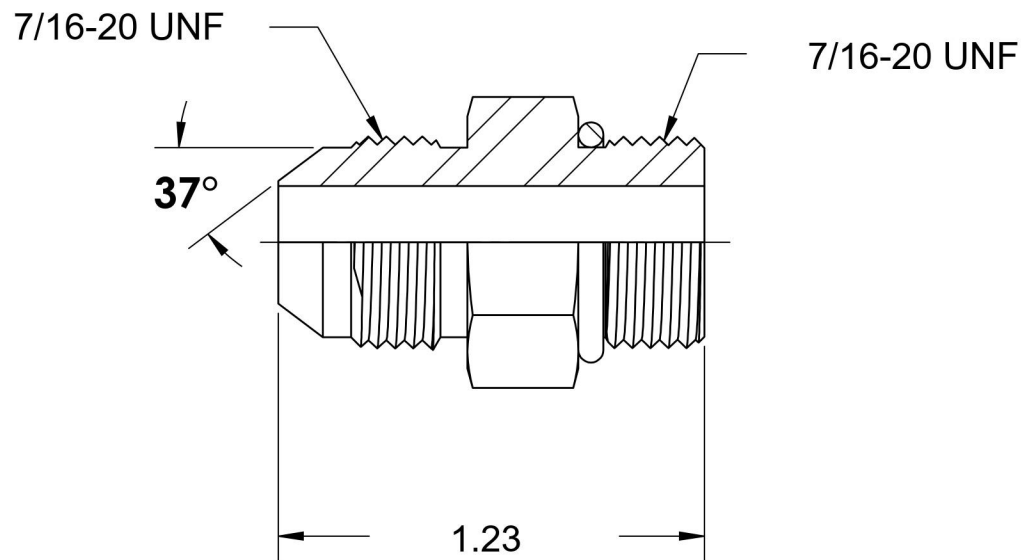
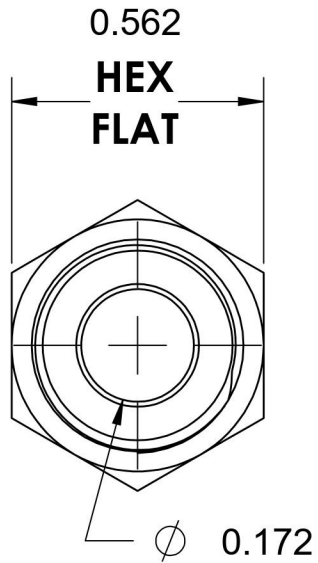


6400-04-04-O-SS-VITON

Stainless Steel, SAE J514 37° Flare Port Connector, 1/4" Male JIC x 7/16-20 Male ORB, FKM Seal



6701 Cochran Road
Solon, Ohio 44139
Phone: (440) 248-1880
Toll Free: 1-888-331-1523

Temperature Rating -15°F to 400°F	Material 316/316L Stainless Steel	Industry Standards SAE J514, SAE J1926-3	Series 6400-O-SS-VITON
Pressure Rating 9000 psi	Finish Passivated		Series Description SAE J514 37° Flare Port Connector