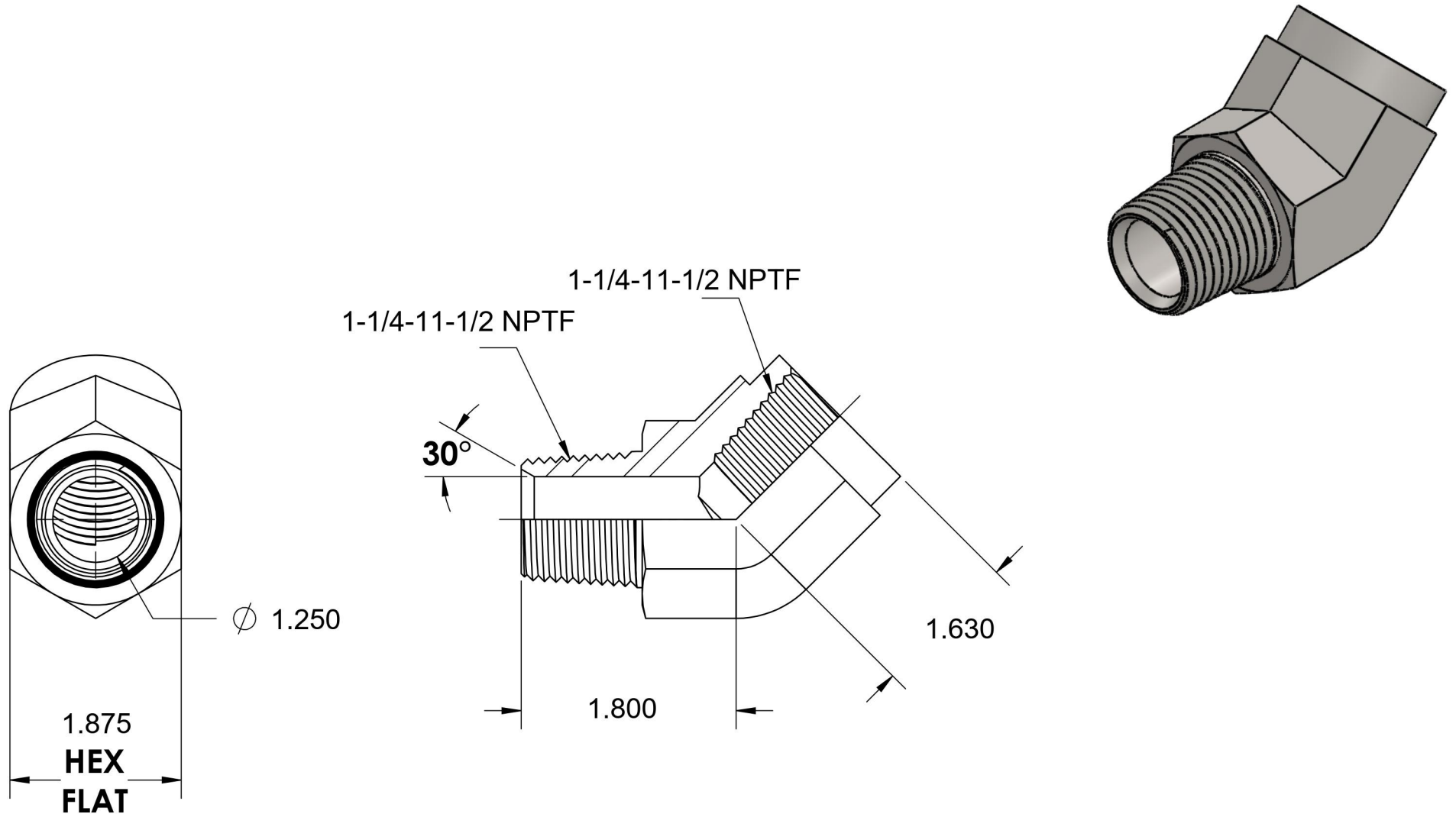


5503-20-20-FG

Steel, SAE J514 Pipe 45° Street Elbow, 1-1/4" Male NPTF 30° x 1-1/4" Female NPTF



6701 Cochran Road
Solon, Ohio 44139
Phone: (440) 248-1880
Toll Free: 1-888-331-1523

Temperature Rating -65°F to 500°F	Material C1045 Steel	Industry Standards SAE J514, SAE J476	Series 5503-FG
Pressure Rating 1500 psi	Finish Trivalent Zinc		Series Description SAE J514 Pipe 45° Street Elbow