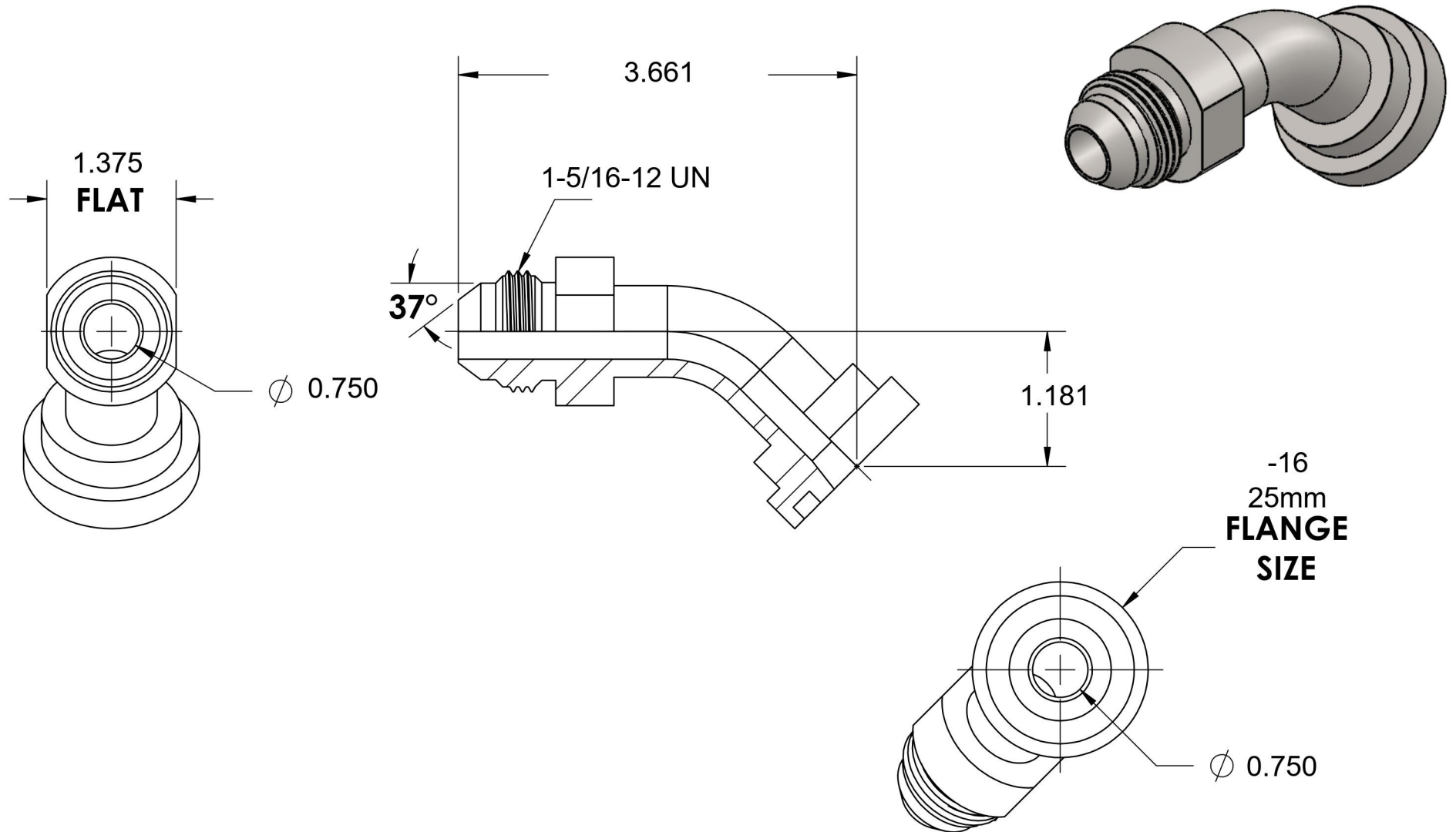


# 1703-16-16

Steel, SAE J514 37° Flare 45° Code 61 Flange Swept Elbow, 1" Male JIC x 1" Split Flange Head



6701 Cochran Road  
Solon, Ohio 44139  
Phone: (440) 248-1880  
Toll Free: 1-888-331-1523

#### Temperature Rating

-65°F to 500°F

#### Pressure Rating

5000psi

#### Material

S20C Steel

#### Finish

Trivalent Zinc

#### Industry Standards

SAE J518 Code 61, SAE J514  
ASTM B633

#### Series

**1703**

#### Series Description

SAE J514 37° Flare 45° Code 61  
Flange Swept Elbow