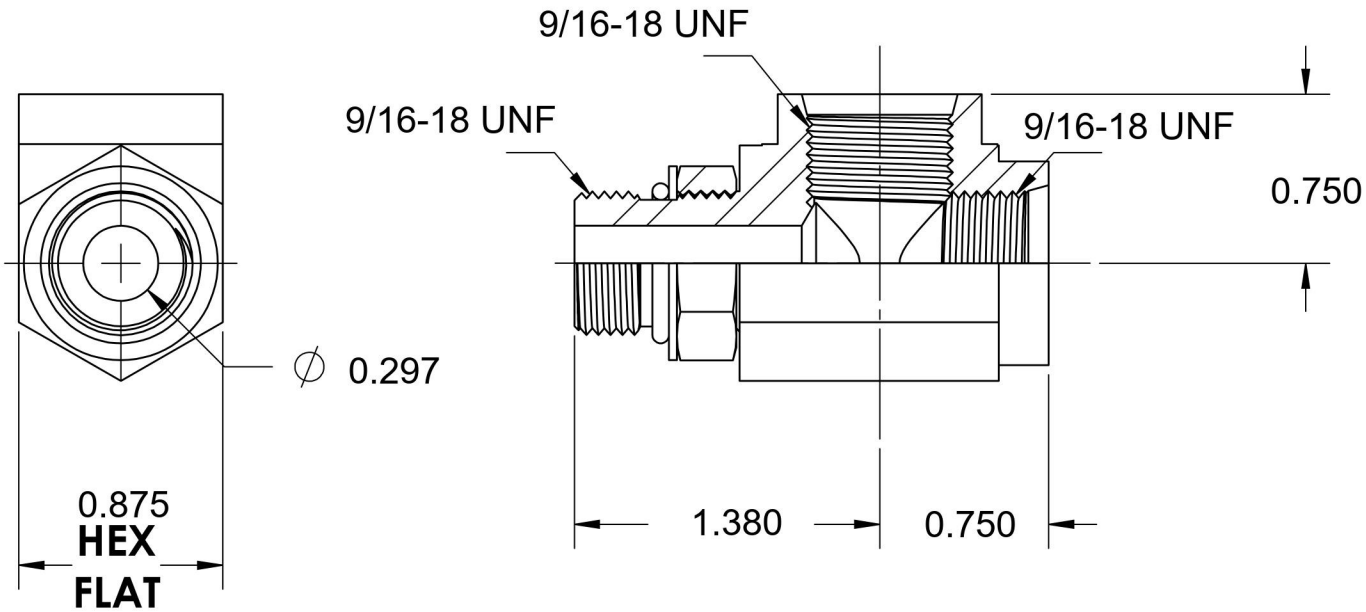
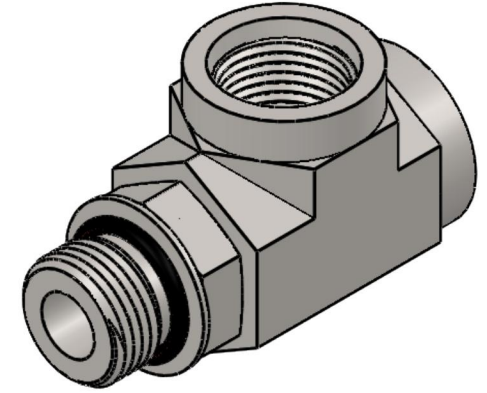
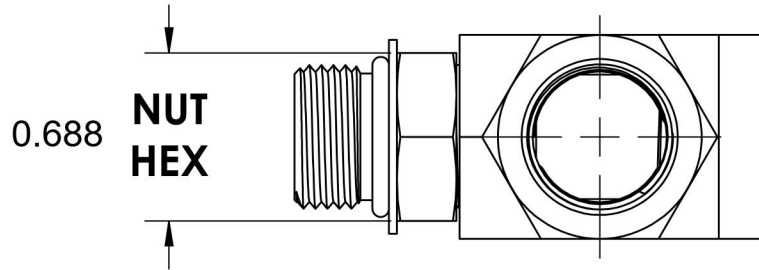


6835-06-06-06-NWO-FG

Steel, SAE J1926 Adjustable O-Ring Boss Female Port Run Tee, 9/16-18 Male Adjustable ORB x 9/16-18 Female ORB x 9/16-18 Female ORB



6701 Cochran Road
Solon, Ohio 44139
Phone: (440) 248-1880
Toll Free: 1-888-331-1523

Temperature Rating

-40°F to 250°F

Pressure Rating

5000 psi

Material

C1045 Steel

Finish

Trivalent Zinc

Industry Standards

SAE J1926-1, SAE J1926-3
SAE J515, ASTM B633

Series

6835-NWO-FG

Series Description

SAE J1926 Adjustable O-Ring Boss
Female Port Run Tee