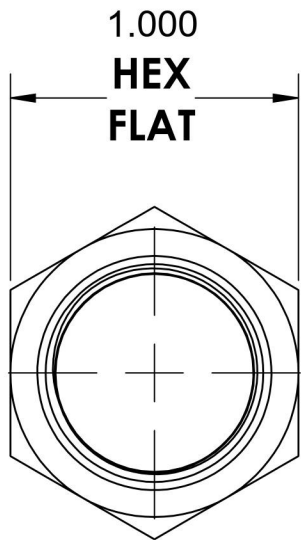


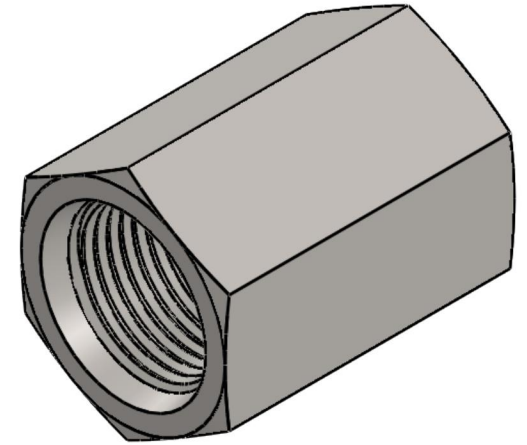
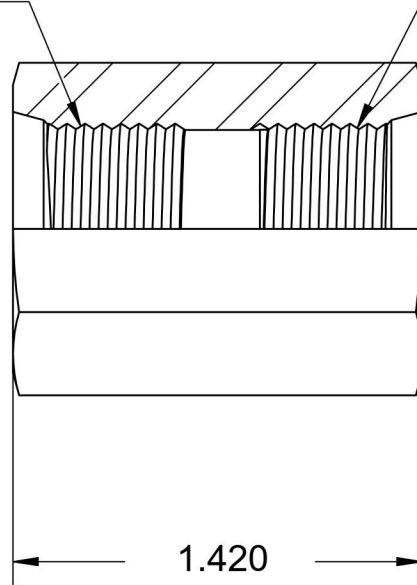
6425-08-08-SS

Stainless Steel, SAE J1926 O-Ring Boss Union Coupling, 3/4-16 Female ORB



3/4-16 UNF

3/4-16 UNF



6701 Cochran Road
Solon, Ohio 44139
Phone: (440) 248-1880
Toll Free: 1-888-331-1523

Temperature Rating

-425°F to 1200°F

Pressure Rating

5000psi

Material

316/316L Stainless

Finish

Passivation

Industry Standards

SAE J1926

Series

6425

Series Description

SAE J1926 O-Ring Boss Union Coupling