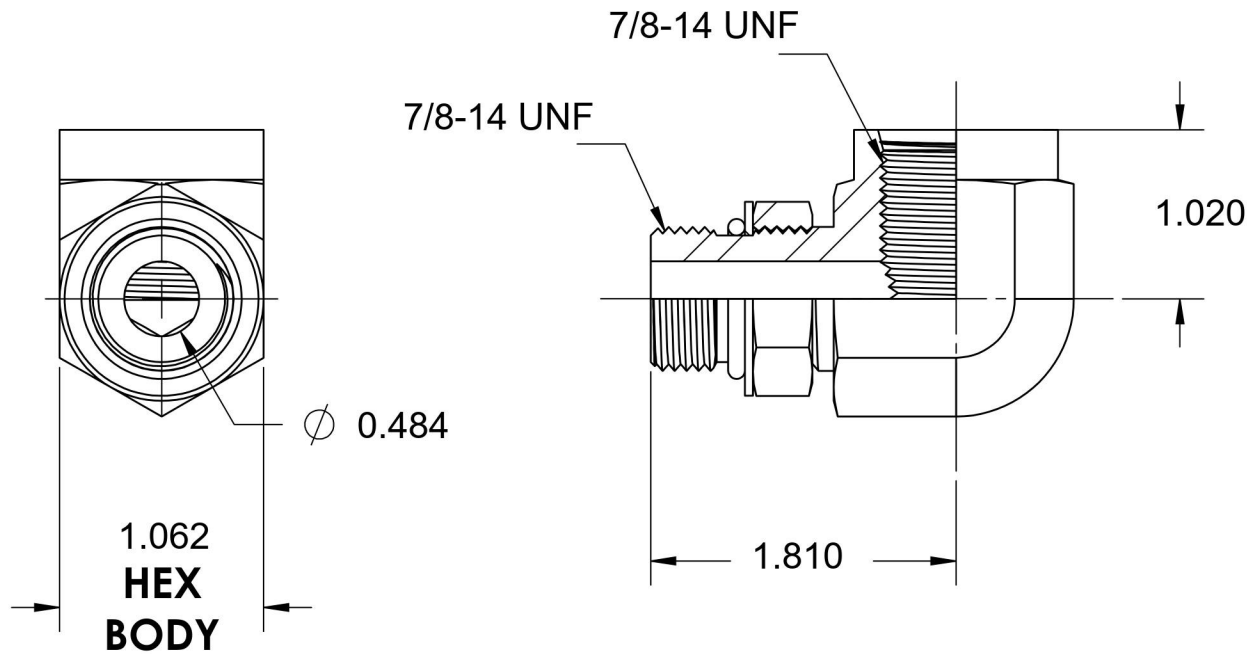
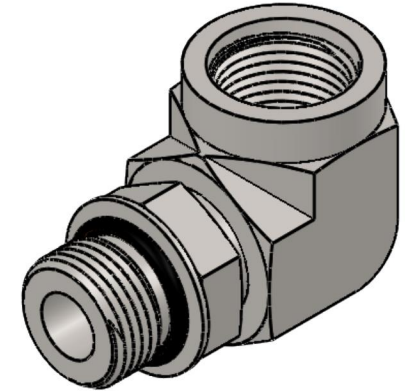
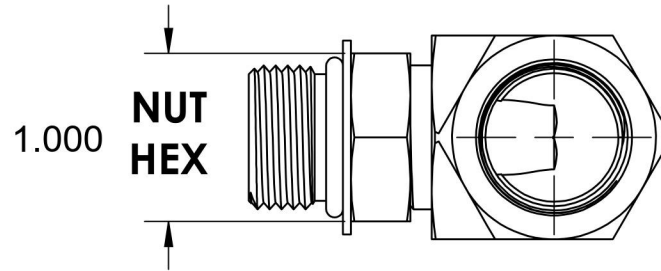


# 6815-10-10-NWO-SS

Stainless Steel, SAE J1926 Adjustable O-Ring Boss 90° Female Port Elbow, 7/8-14 Male Adjustable ORB x 7/8-14 Female ORB



6701 Cochran Road  
Solon, Ohio 44139  
Phone: (440) 248-1880  
Toll Free: 1-888-331-1523

|                           |                          |                           |   |
|---------------------------|--------------------------|---------------------------|---|
| <b>Temperature Rating</b> | <b>Material</b>          | <b>Industry Standards</b> | <b>Series</b>   |
| -40°F to 250°F            | 316/316L Stainless Steel | SAE J1926-1,-3, SAE J515  | 6815-NWO-SS   |
| <b>Pressure Rating</b>    | <b>Finish</b>            |                           | <b>Series Description</b>                                 |
| 2500 psi                  | Passivated               |                           | SAE J1926 Adjustable O-Ring Boss<br>90° Female Port Elbow |