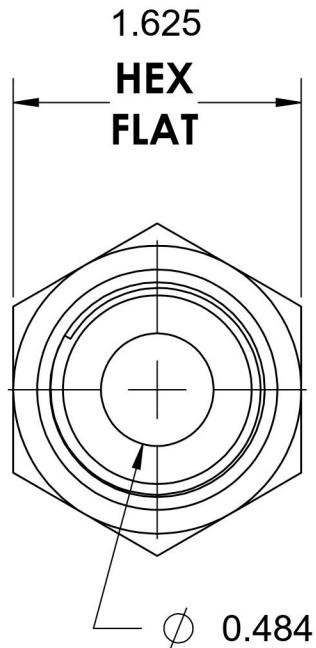
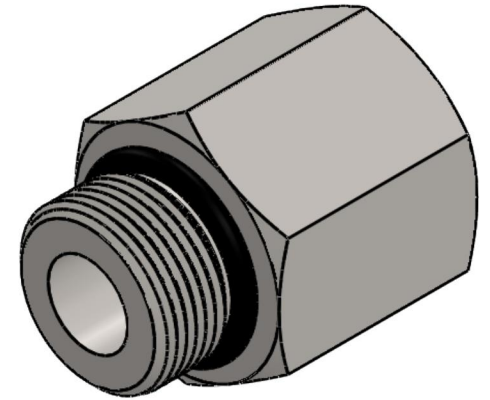
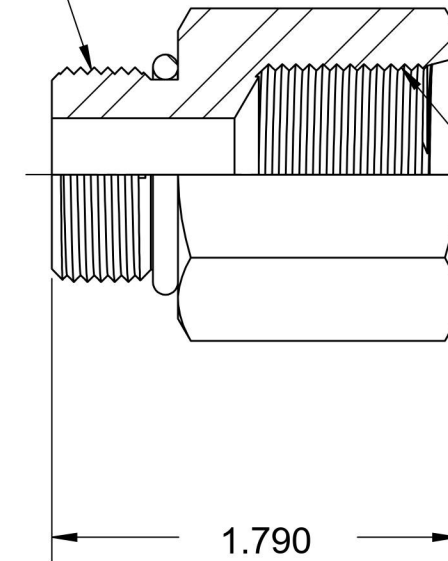


6410-10-16-O

Steel, SAE J1926 O-Ring Boss Reducer, 7/8-14 Male ORB x 1-5/16-12 Female ORB



7/8-14 UNF



6701 Cochran Road
Solon, Ohio 44139
Phone: (440) 248-1880
Toll Free: 1-888-331-1523

Temperature Rating

-40°F to 250°F

Pressure Rating

3500 psi

Material

C1045 / 12L14 Steel

Finish

Trivalent Zinc

Industry Standards

SAE J1926-3, SAE J515
ASTM B633

Series

6410-O

Series Description

SAE J1926 O-Ring Boss Reducer