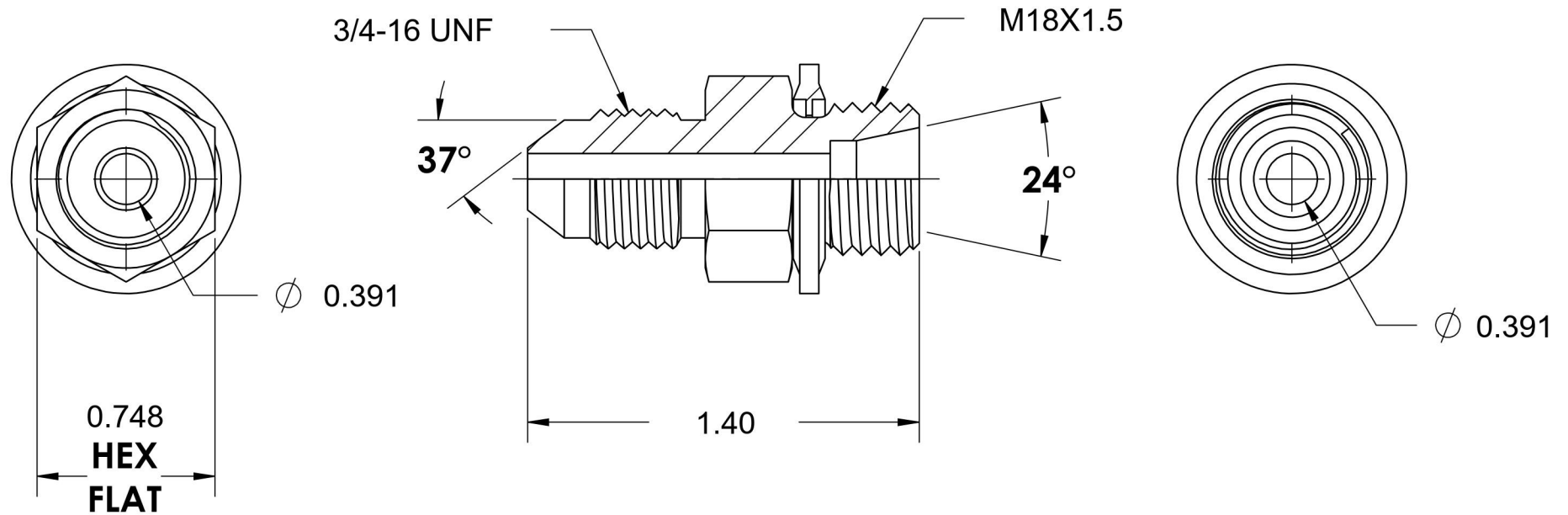
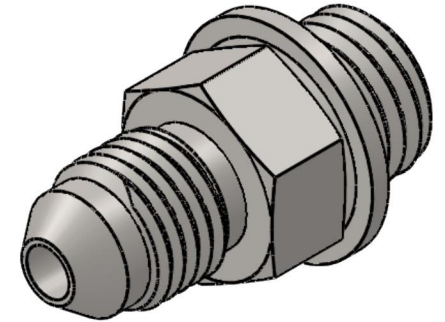


# 7005-08-L12-18-BS

Steel, SAE J514 37° Flare DIN 2353 (Light) Tube Adapter Bonded Seal, 1/2" Male JIC x M18X1.5 Male DIN Line/Tube/Port



6701 Cochran Road  
Solon, Ohio 44139  
Phone: (440) 248-1880  
Toll Free: 1-888-331-1523

| Temperature Rating | Material            | Industry Standards   | Series  |
|--------------------|---------------------|----------------------|---|
| -40°F to 250°F     | C1045 / 12L14 Steel | SAE J514, ISO 8434-1 | 7005-DIN LIGHT-BS   |
| Pressure Rating    | Finish              | ISO 9974, ASTM B633  | Series Description  |
| 5800 psi           | Trivalent Zinc      |                      | SAE J514 37° Flare DIN 2353 (Light)<br>Tube Adapter Bonded Seal Assembled |