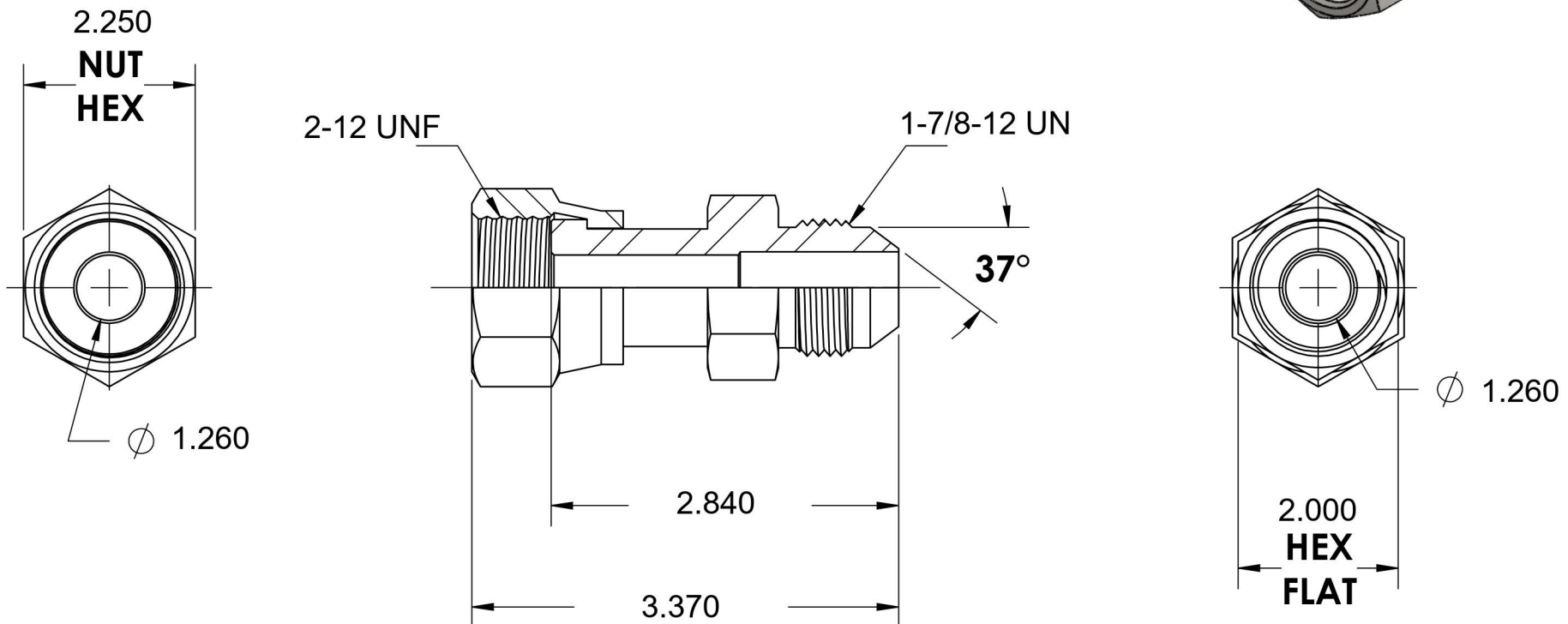
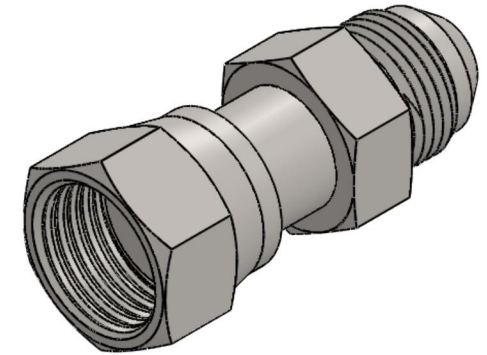


FS6504-24-24

Steel, SAE J1453 O-Ring Face Seal Swivel Adapter, 1-1/2" Female ORFS Swivel x 1-1/2" Male JIC



6701 Cochran Road
Solon, Ohio 44139
Phone: (440) 248-1880
Toll Free: 1-888-331-1523

Temperature Rating

-65°F to 500°F

Pressure Rating

3000 psi

Material

C1045/12L14 Steel

Finish

Trivalent Zinc

Industry Standards

SAE J1453, SAE J514
ASTM B633

Series

FS6504

Series Description

SAE J1453 O-Ring Face Seal
Swivel Adapter