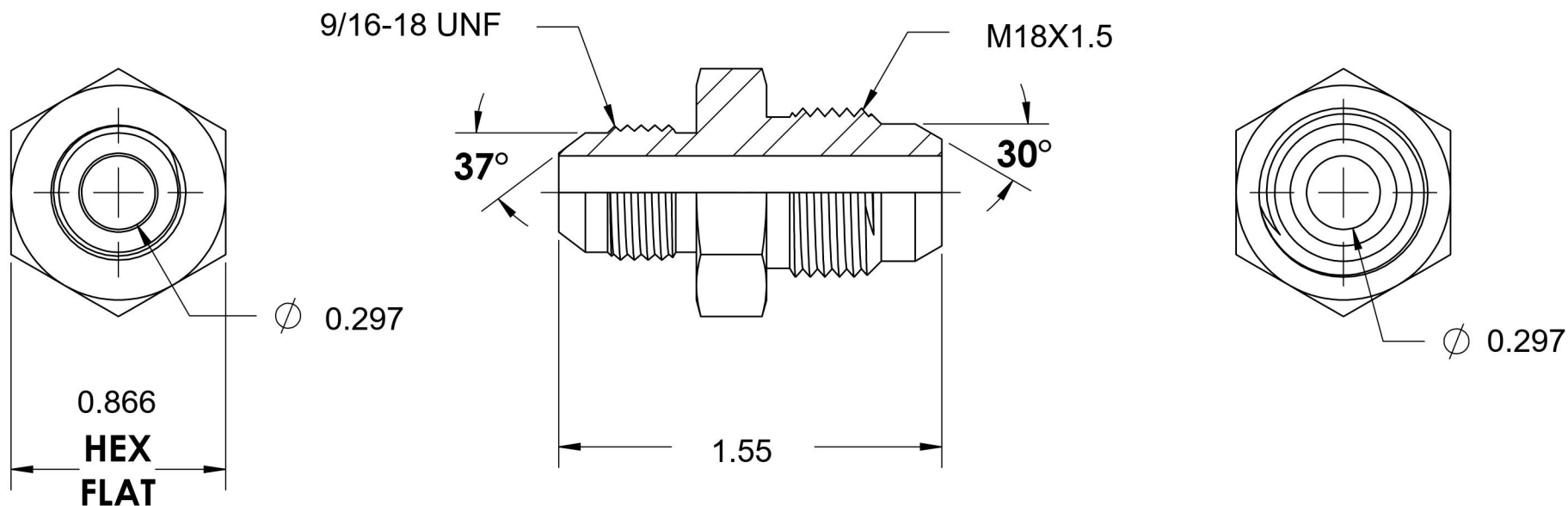
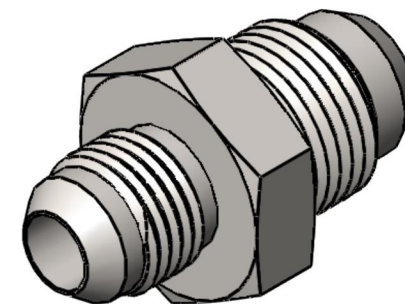


# 7009-06-18

Steel, SAE J514 37° Flare Male Komatsu Adapter, 3/8" Male JIC x M18X1.5 Male Komatsu



6701 Cochran Road  
Solon, Ohio 44139  
Phone: (440) 248-1880  
Toll Free: 1-888-331-1523

<b>Temperature Rating</b>	<b>Material</b>	<b>Industry Standards</b>	<b>Series</b>
-65°F to 500°F	C1045 / 12L14 Steel	SAE J514, ASTM B633	7009
<b>Pressure Rating</b>	<b>Finish</b>	Komatsu Standard	<b>Series Description</b>
4000 psi	Trivalent Zinc		SAE J514 37° Flare Male Komatsu Adapter