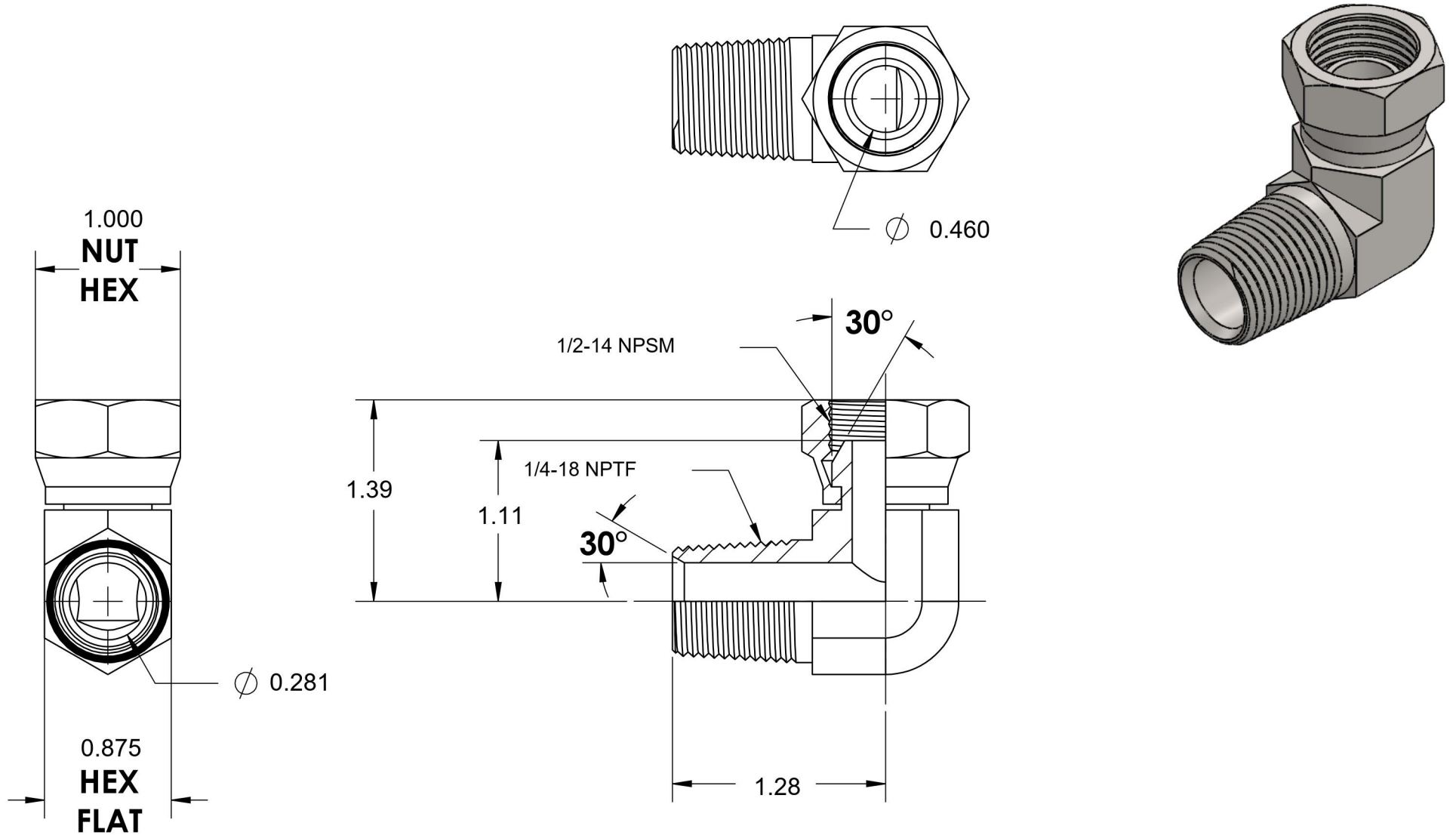


# 1501-04-08-FG

Steel, SAE J514 NPSM Swivel 90° Male Elbow, 1/4" Male NPTF 30° x 1/2" Female NPSM Swivel



6701 Cochran Road  
Solon, Ohio 44139  
Phone: (440) 248-1880  
Toll Free: 1-888-331-1523

|   |                                 |  |   |
|---|---------------------------------|--|---|
| <b>Temperature Rating</b><br>-65°F to 500°F | <b>Material</b><br>C1045 Steel  | <b>Industry Standards</b><br>SAE J514, SAE J476<br>ASTM B633 | <b>Series</b><br>1501-FG  |
| <b>Pressure Rating</b><br>5000 psi          | <b>Finish</b><br>Trivalent Zinc |  | <b>Series Description</b><br>SAE J514 NPSM Swivel<br>90° Male Elbow |