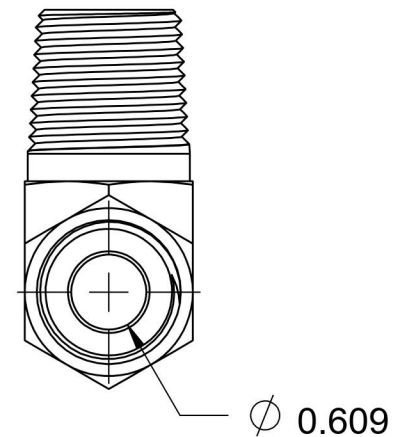
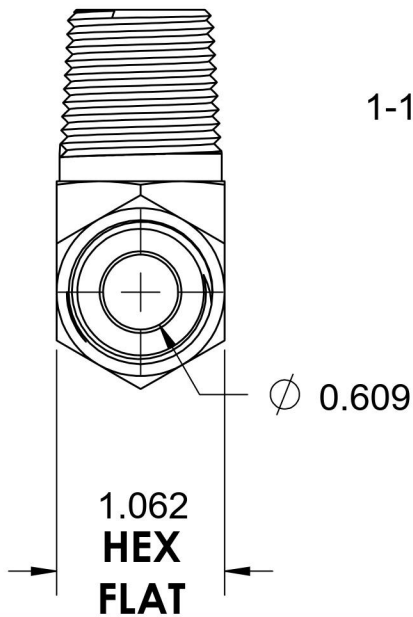
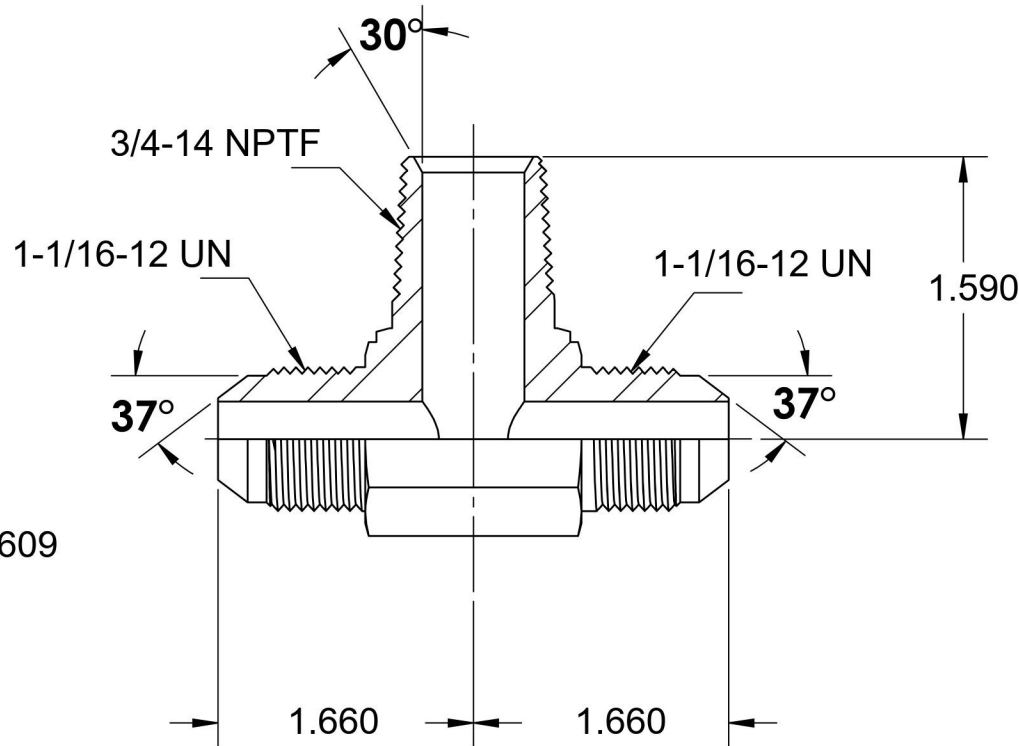
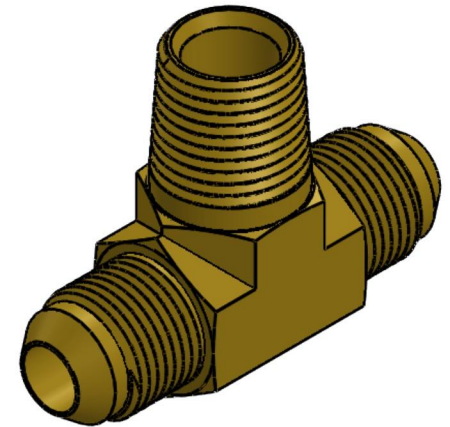
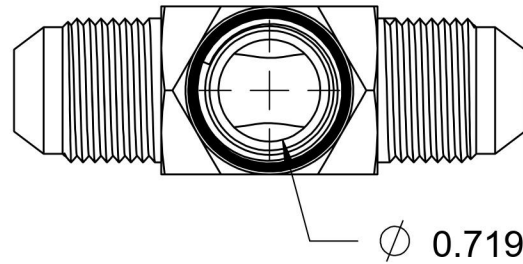


2601-12-12-12-B

Brass, SAE J514 SAE J514 37° Flare Male Branch Tee, 3/4" Male JIC x 3/4" Male JIC x 3/4" Male NPTF 30°



6701 Cochran Road
Solon, Ohio 44139
Phone: (440) 248-1880
Toll Free: 1-888-331-1523

Temperature Rating	Material	Industry Standards	Series
-325°F to 400°F	CA377 Brass	SAE J514 , SAE J476	2601-B
Pressure Rating	Finish		Series Description
2600 psi	Natural Finish		SAE J514 37° Flare Male Branch Tee