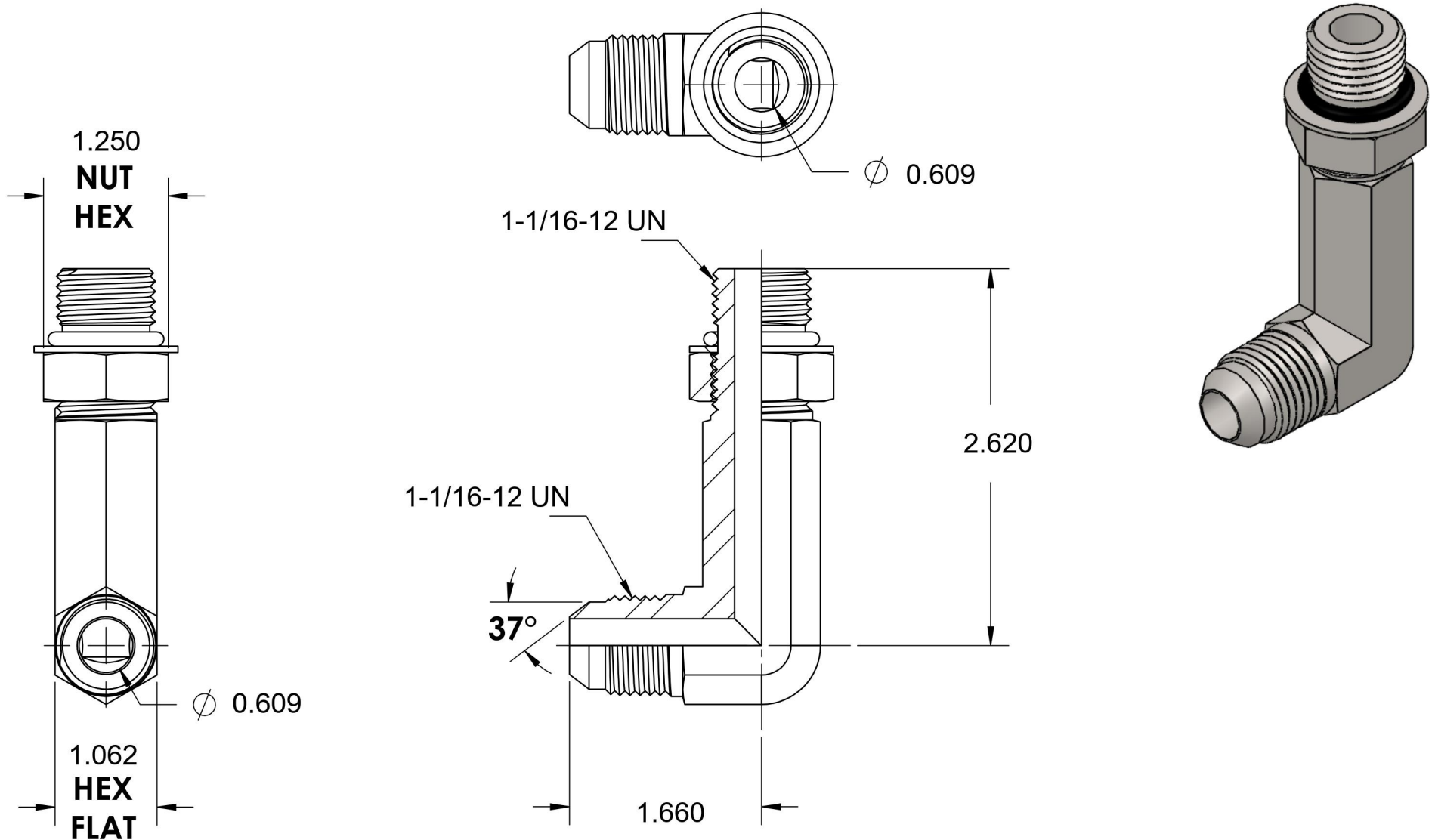


6801-L-12-12-NWO-SS

Stainless Steel, SAE J514 37° Flare 90° Long Adjustable Port Elbow, 3/4" Male JIC x 1-1/16-12 Male Adjustable ORB



6701 Cochran Road
Solon, Ohio 44139
Phone: (440) 248-1880
Toll Free: 1-888-331-1523

Temperature Rating	Material	Industry Standards	Series
-40°F to 250°F	316/316L Stainless	SAE J514, SAE J1926-3	6801-L-NWO-FG
Pressure Rating	Finish		Series Description
5400psi	Passivation		SAE J514 37° Flare 90° Long Adjustable Port Elbow