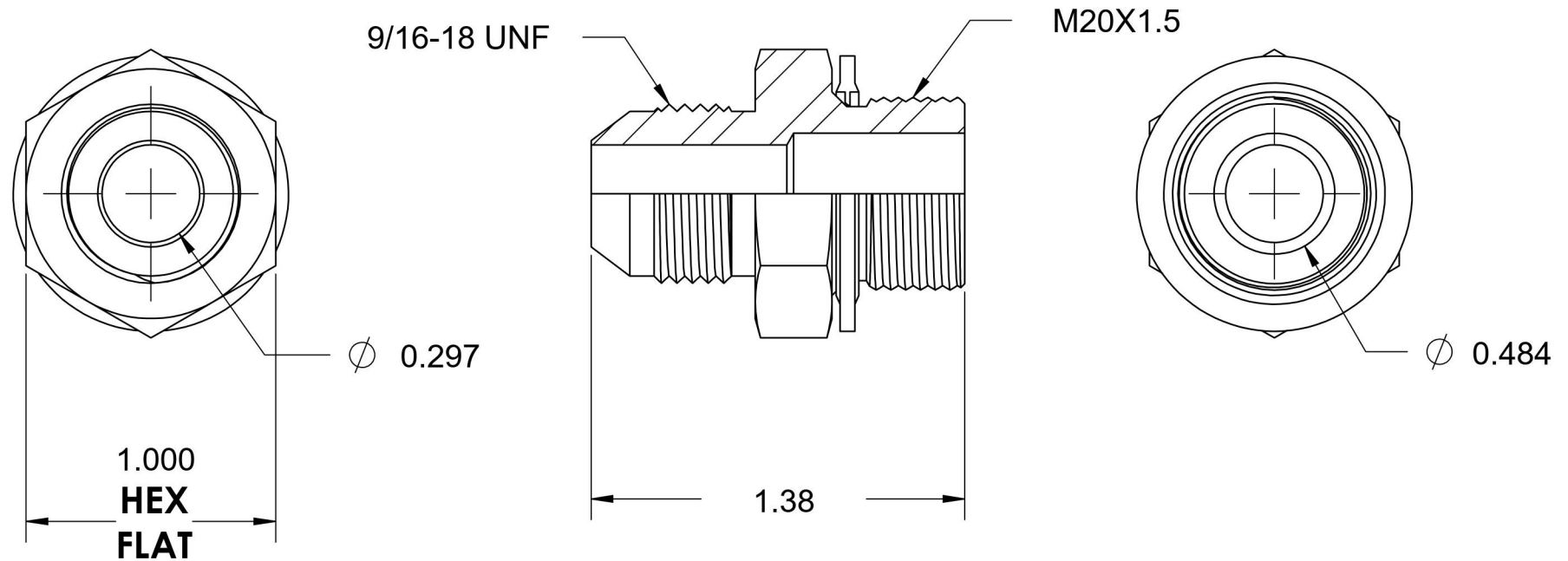
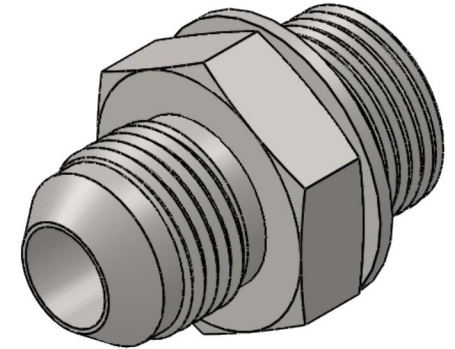


7005-06-20-SS-BS

Stainless Steel, SAE J514 37° Flare Metric Type (D) Bonded Seal Port/Line Connector, 3/8" Male JIC x M20X1.5 Male Metric 60° Line/Port



6701 Cochran Road
Solon, Ohio 44139
Phone: (440) 248-1880
Toll Free: 1-888-331-1523

Temperature Rating	Material	Industry Standards SAE J514, ISO 9974	Series 7005-BS-SS
-40°F to 250°F	316/316L Stainless Steel		
Pressure Rating	Finish	Series Description SAE J514 37° Flare Metric Type (D) Bonded Seal Port/Line Connector	
6000 psi	Passivated		