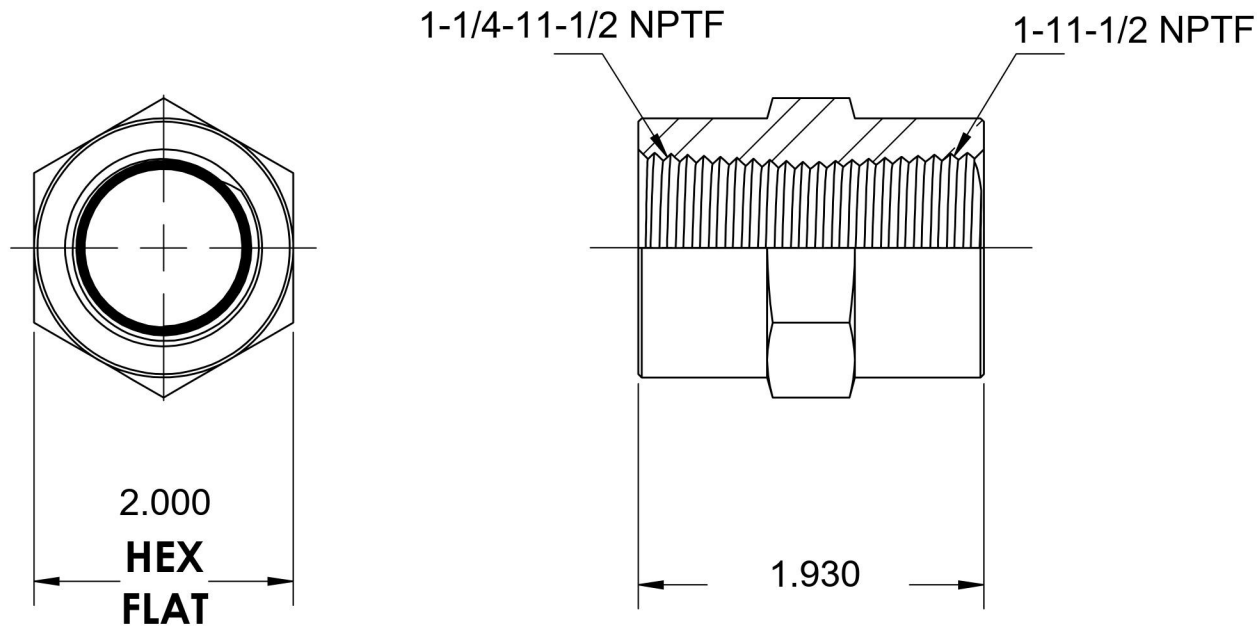
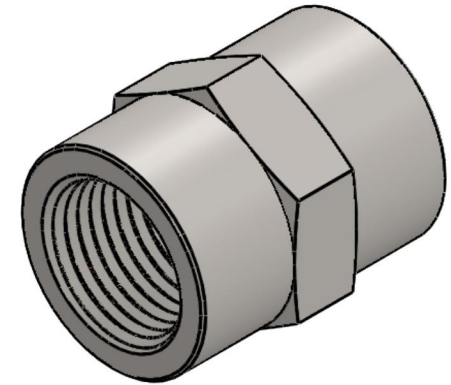


5000-20-16

Steel, SAE J514 Pipe Hex Coupling, 1-1/4" Female NPTF x 1-11-1/2" Female NPTF



6701 Cochran Road
Solon, Ohio 44139
Phone: (440) 248-1880
Toll Free: 1-888-331-1523

Temperature Rating

-65°F to 500°F

Pressure Rating

2500 psi

Material

C1045/12L14 Steel

Finish

Trivalent Zinc

Industry Standards

SAE J514 , SAE J476
ASTM B633

Series

5000

Series Description

SAE J514 Pipe Hex Coupling