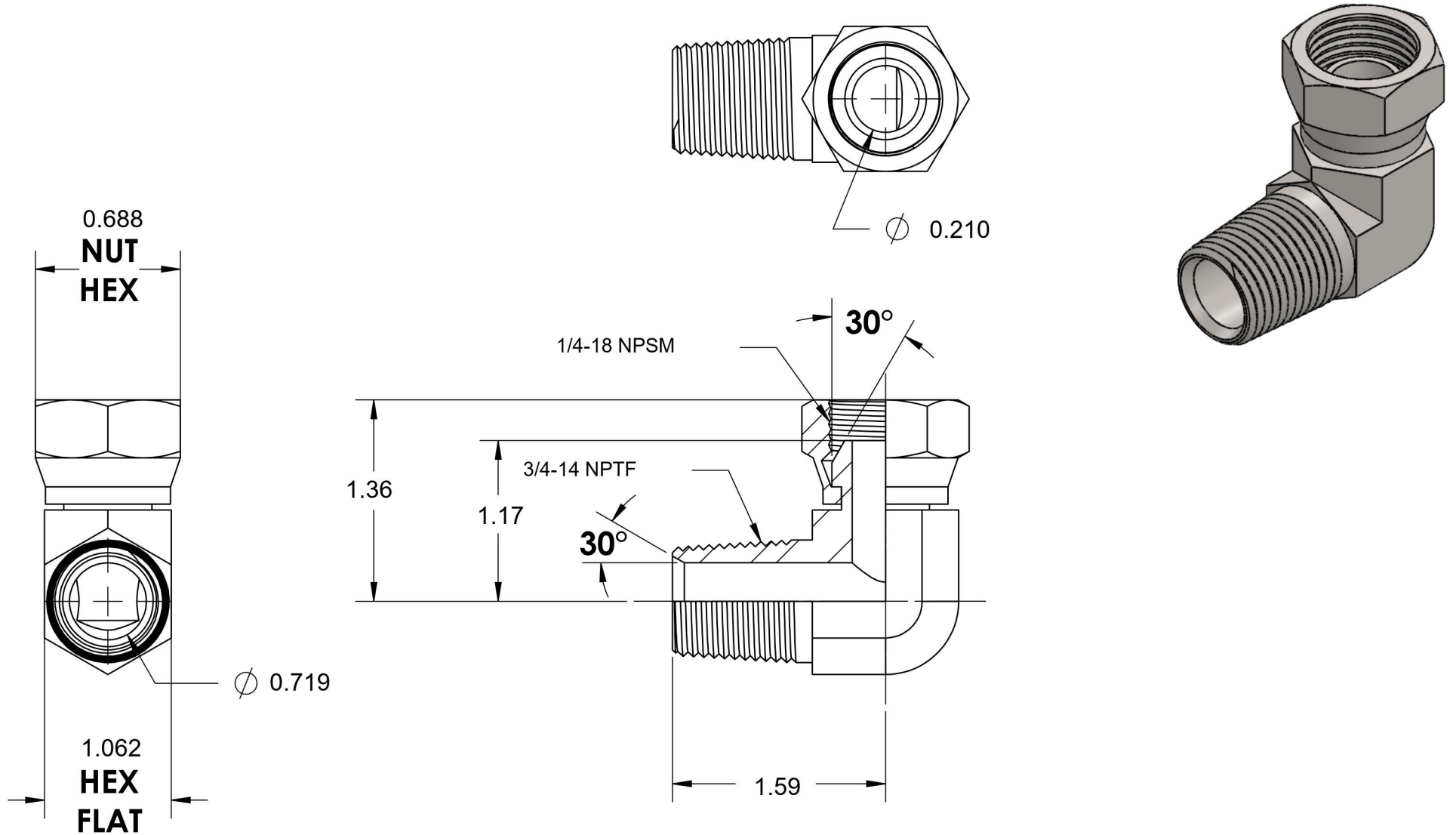


1501-12-04-FG

Steel, SAE J514 NPSM Swivel 90° Male Elbow, 3/4" Male NPTF 30° x 1/4" Female NPSM Swivel



6701 Cochran Road
Solon, Ohio 44139
Phone: (440) 248-1880
Toll Free: 1-888-331-1523

Temperature Rating	Material	Industry Standards	Series
-65°F to 500°F	C1045 Steel	SAE J514, SAE J476	1501-FG
Pressure Rating	Finish	ASTM B633	Series Description
4000 psi	Trivalent Zinc		SAE J514 NPSM Swivel 90° Male Elbow