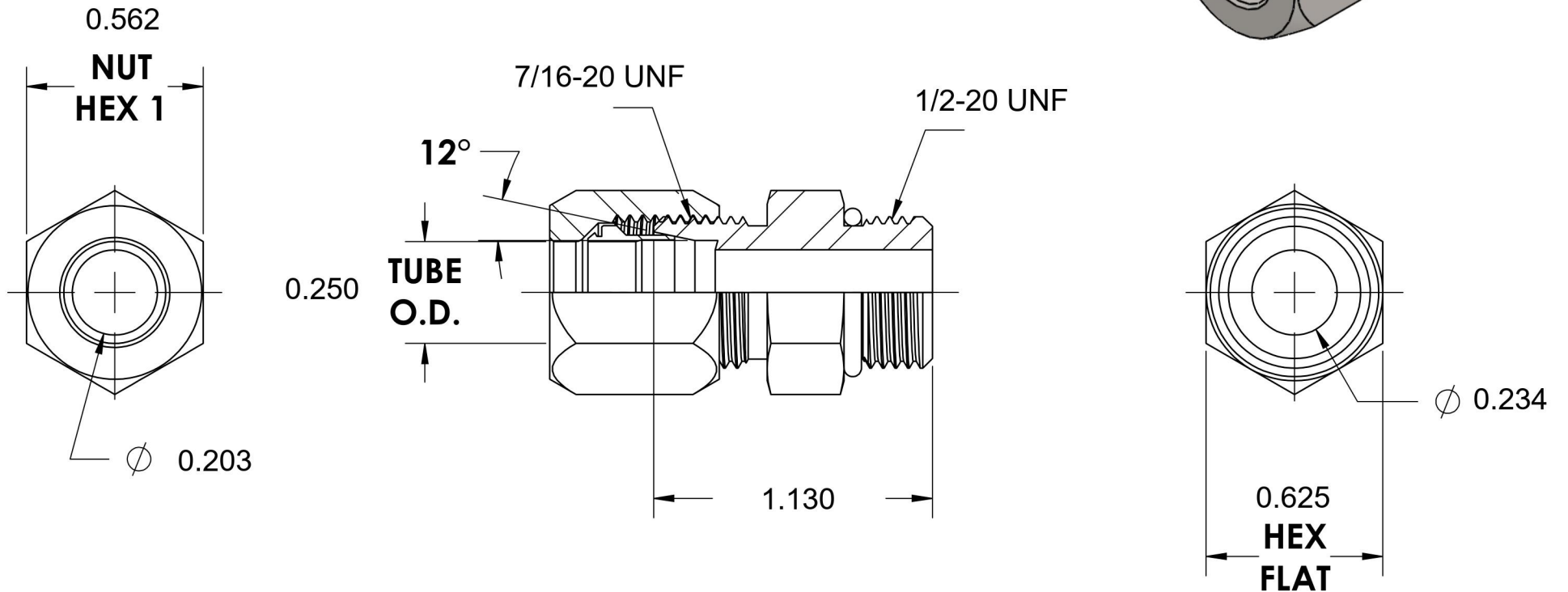
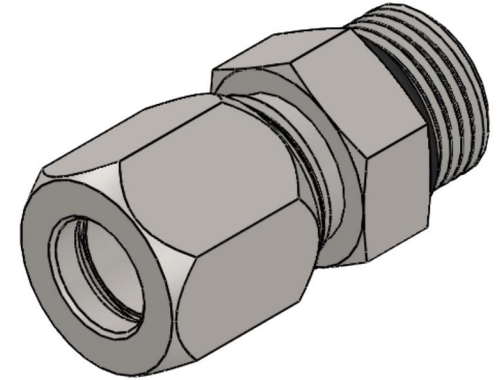


C6400-04-05-O-SS

Stainless Steel, SAE J514 Flareless Tube Port Connector, 1/4" Flareless Bite Type x 1/2-20 Male ORB



6701 Cochran Road
Solon, Ohio 44139
Phone: (440) 248-1880
Toll Free: 1-888-331-1523

Temperature Rating	Material	Industry Standards SAE J514, SAE J1926	Series C6400-O
Pressure Rating 6000psi	Finish Passivation		Series Description SAE J514 Flareless Tube Port Connector