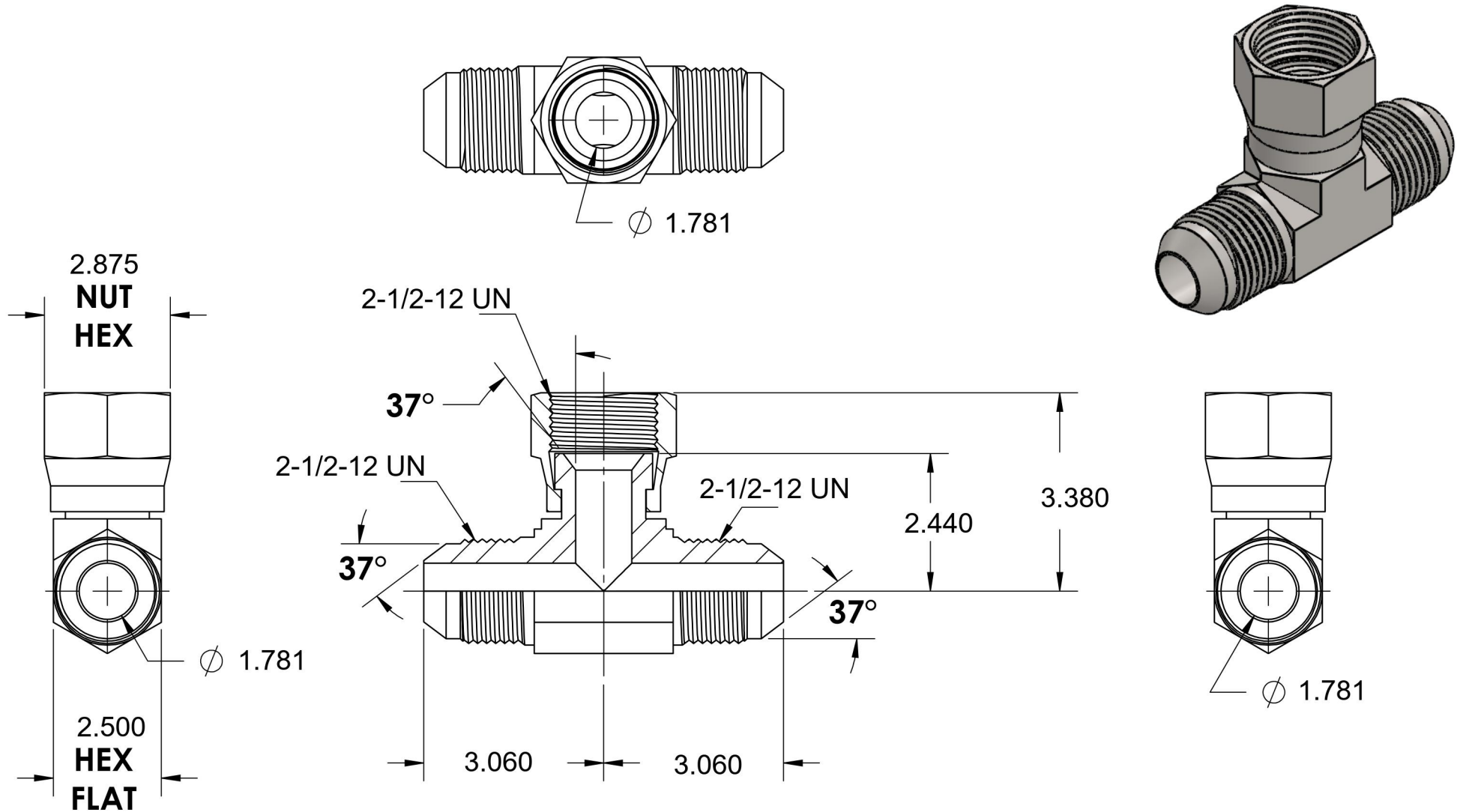


# 6600-32-32-32-FG

Steel, SAE J514 37° Flare Swivel Branch Tee, 2" Male JIC x 2" Male JIC x 2" Female JIC Swivel



6701 Cochran Road  
Solon, Ohio 44139  
Phone: (440) 248-1880  
Toll Free: 1-888-331-1523

**Temperature Rating**

-65°F to 500°F

**Pressure Rating**

2000 psi

**Material**

C1045 Steel

**Finish**

Trivalent Zinc

**Industry Standards**

SAE J514, ASTM B633

**Series**

6600-FG

**Series Description**

SAE J514 37° Flare Swivel Branch Tee