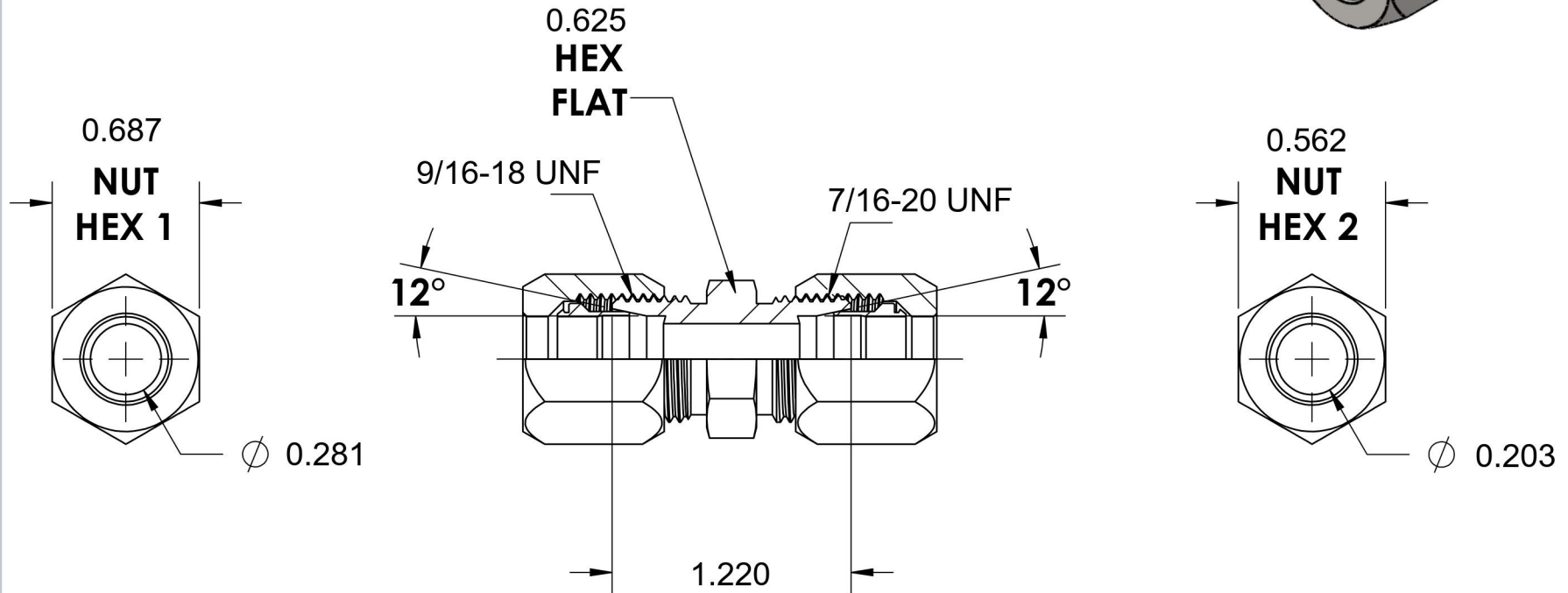


# C2403-06-04

Steel, SAE J514 Flareless Tube Union, 3/8" Flareless Bite Type x 1/4" Flareless Bite Type



6701 Cochran Road  
Solon, Ohio 44139  
Phone: (440) 248-1880  
Toll Free: 1-888-331-1523

<b>Temperature Rating</b>	<b>Material</b>	<b>Industry Standards</b> SAE J514, ASTM B633	<b>Series</b> C2403
<b>Pressure Rating</b> 6000 psi	<b>Finish</b> Trivalent Zinc		<b>Series Description</b> SAE J514 Flareless Tube Union