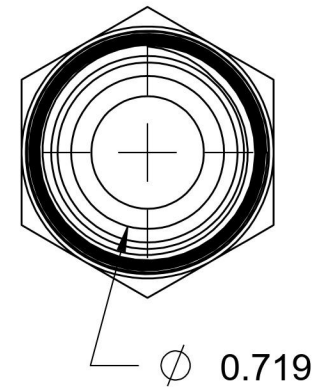
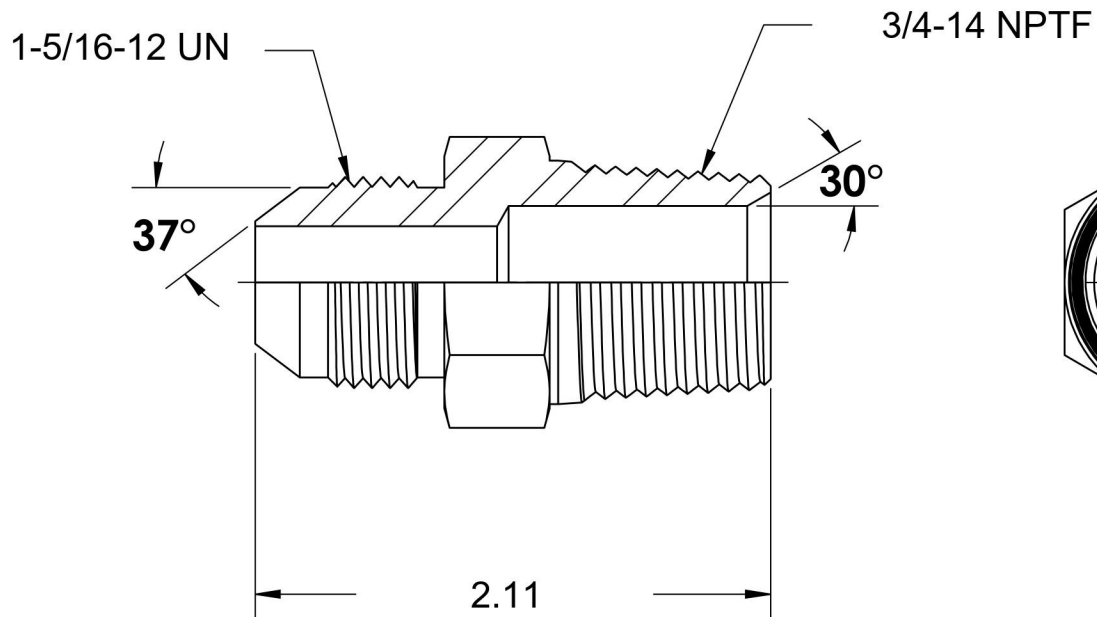
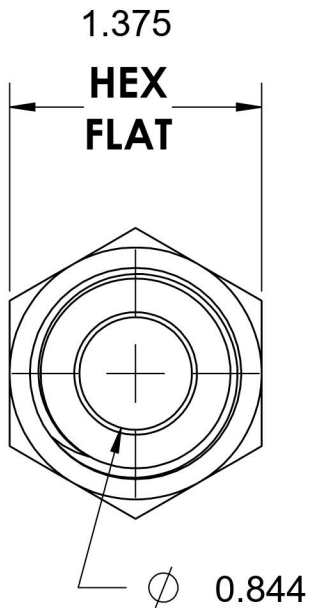


# 2404-16-12-B

Brass, SAE J514 37° Flare Male Connector, 1" Male JIC x 3/4" Male NPTF 30°



6701 Cochran Road  
Solon, Ohio 44139  
Phone: (440) 248-1880  
Toll Free: 1-888-331-1523

|                           |                 |                           |                                   |
|---------------------------|-----------------|---------------------------|-----------------------------------|
| <b>Temperature Rating</b> | <b>Material</b> | <b>Industry Standards</b> | <b>Series</b>                     |
| -325°F to 400°F           | C360 Brass      | SAE J514 , SAE J476       | 2404-B                            |
| <b>Pressure Rating</b>    | <b>Finish</b>   |                           | <b>Series Description</b>         |
| 2600 psi                  | Natural Finish  |                           | SAE J514 37° Flare Male Connector |