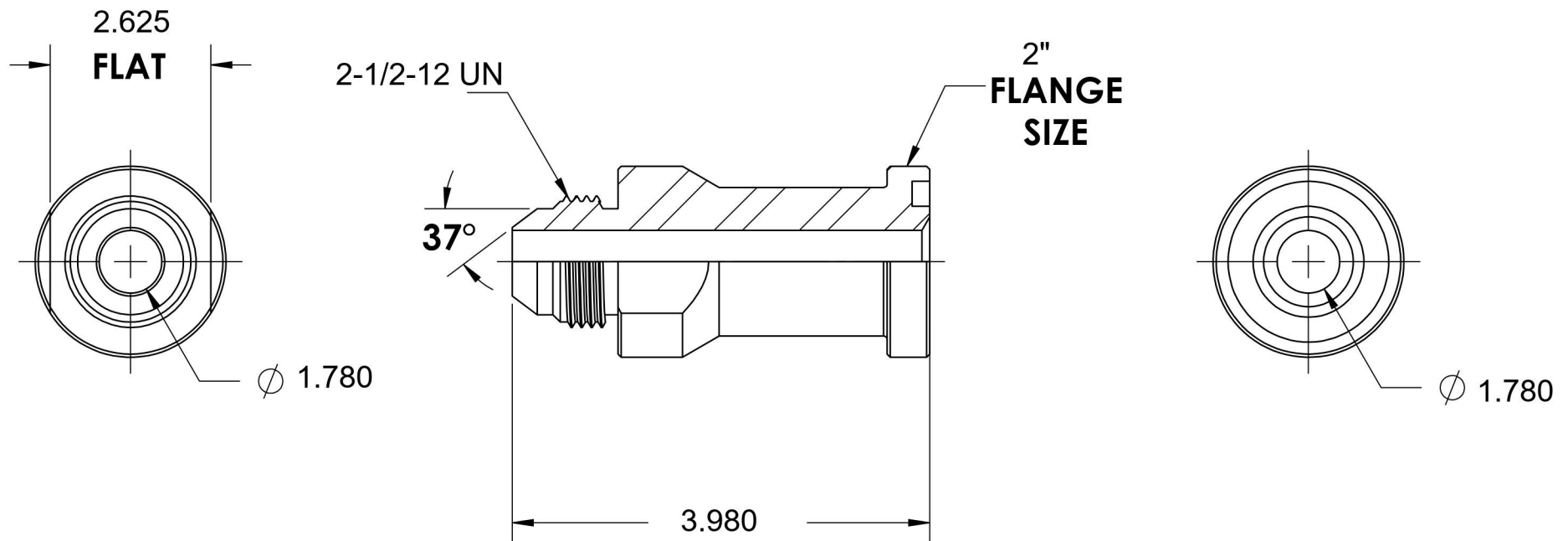


1700-32-32-SS

Stainless Steel, SAE J514 37° Flare Code 61 Flange Adapter, 2" Male JIC x 2" Split Flange Head



6701 Cochran Road
Solon, Ohio 44139
Phone: (440) 248-1880
Toll Free: 1-888-331-1523

| | | | |
|---------------------------|--------------------------|------------------------------|----------------------------------------------|
| Temperature Rating | Material | Industry Standards | Series |
| -425°F to 1200°F | 316/316L Stainless Steel | SAE J518 Code 61 SAE J514 | 1700-SS |
| Pressure Rating | Finish | | Series Description |
| 2000 psi | Passivation | | SAE J514 37° Flare Code 61 Flange Adapter |