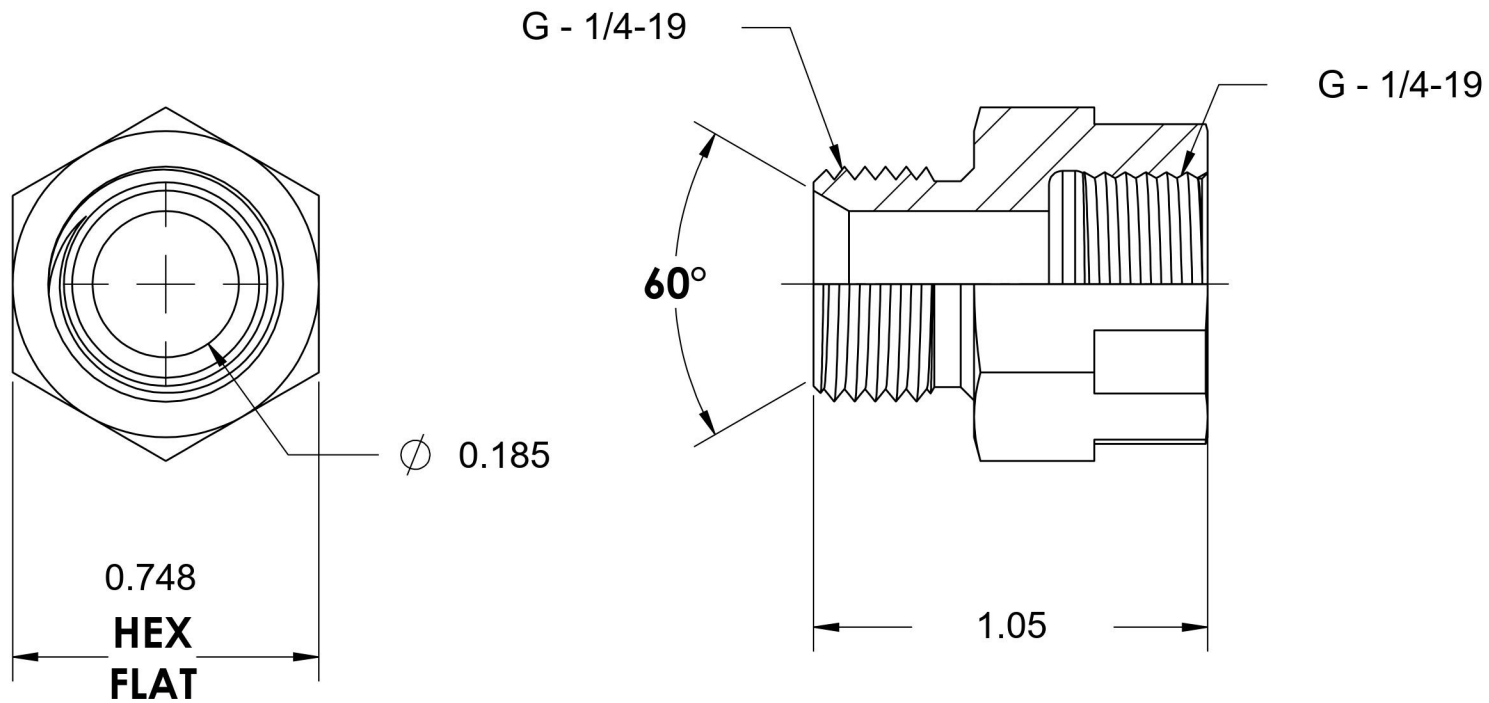
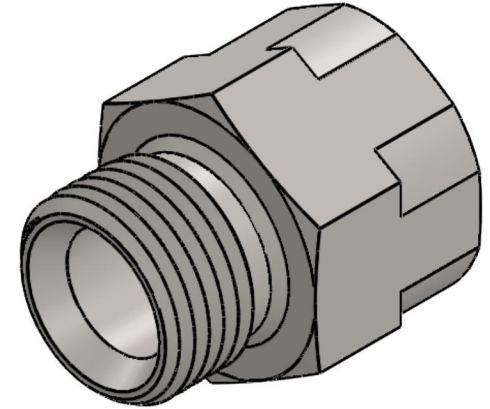


7017-04-04

Steel, ISO 1179 Female BSPG Gauge Port Connector, 1/4-19 Male BSPG 60° Line/Port x 1/4-19 Female BSPG Gauge Port



6701 Cochran Road
Solon, Ohio 44139
Phone: (440) 248-1880
Toll Free: 1-888-331-1523

Temperature Rating

-65°F to 500°F

Pressure Rating

5100 psi

Material

C1045 / 12L14 Steel

Finish

Trivalent Zinc

Industry Standards

ISO 1179, ISO 8434-6

DIN 3852-2 ASTM B633

Series

7017

Series Description

ISO 1179 Female BSPG
Gauge Port Connector