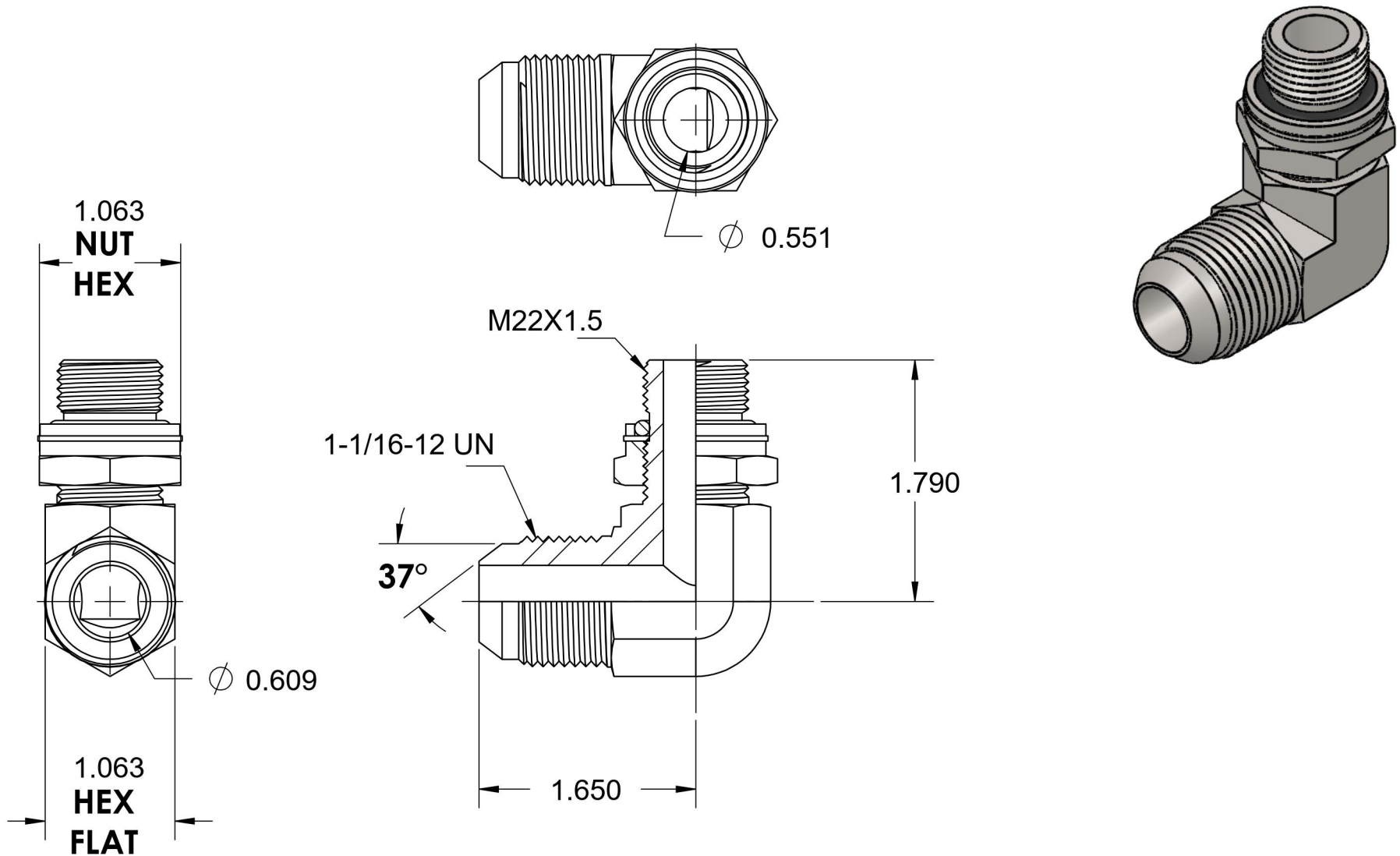


7205-12-22-NWO-FG-VITON

Steel, SAE J514 37° Flare Male Metric Adjustable (Type H) Port 90° Elbow, 3/4" Male JIC x M22X1.5 Male Metric Adjustable ORR, FKM Seal



6701 Cochran Road
Solon, Ohio 44139
Phone: (440) 248-1880
Toll Free: 1-888-331-1523

Temperature Rating	Material	Industry Standards	Series
-15°F to 400°F	C1045 Steel	SAE J514, ISO 9974 ASTM B633	7205-NWO-FG-ORR
Pressure Rating	Finish		Series Description
3600 psi	Trivalent Zinc		SAE J514 37° Flare Male Metric Adjustable (Type H) Port 90° Elbow