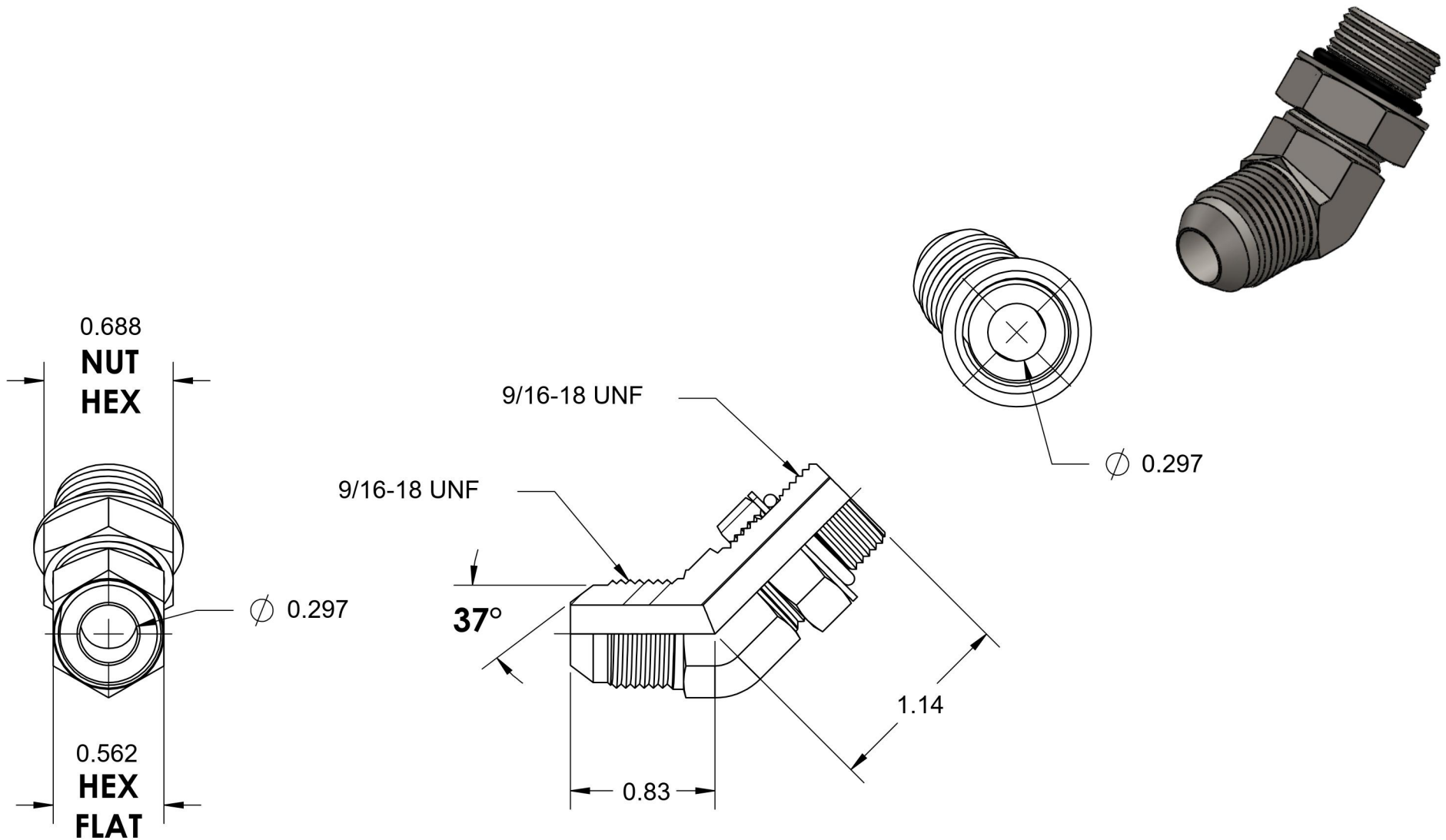


6802-06-06-NWO-SS

Stainless Steel, SAE J514 37° Flare 45° Adjustable Port Elbow, 3/8" Male JIC x 9/16-18 Male Adjustable ORB



6701 Cochran Road
Solon, Ohio 44139
Phone: (440) 248-1880
Toll Free: 1-888-331-1523

| | | | |
|---|---|--|--|
| Temperature Rating -40°F to 250°F | Material 316/316L Stainless Steel | Industry Standards SAE J514, SAE J1926-3 SAE J515 | Series 6802-NWO-SS |
| Pressure Rating 5400 psi | Finish Passivated | | Series Description SAE J514 37° Flare 45° Adjustable Port Elbow |