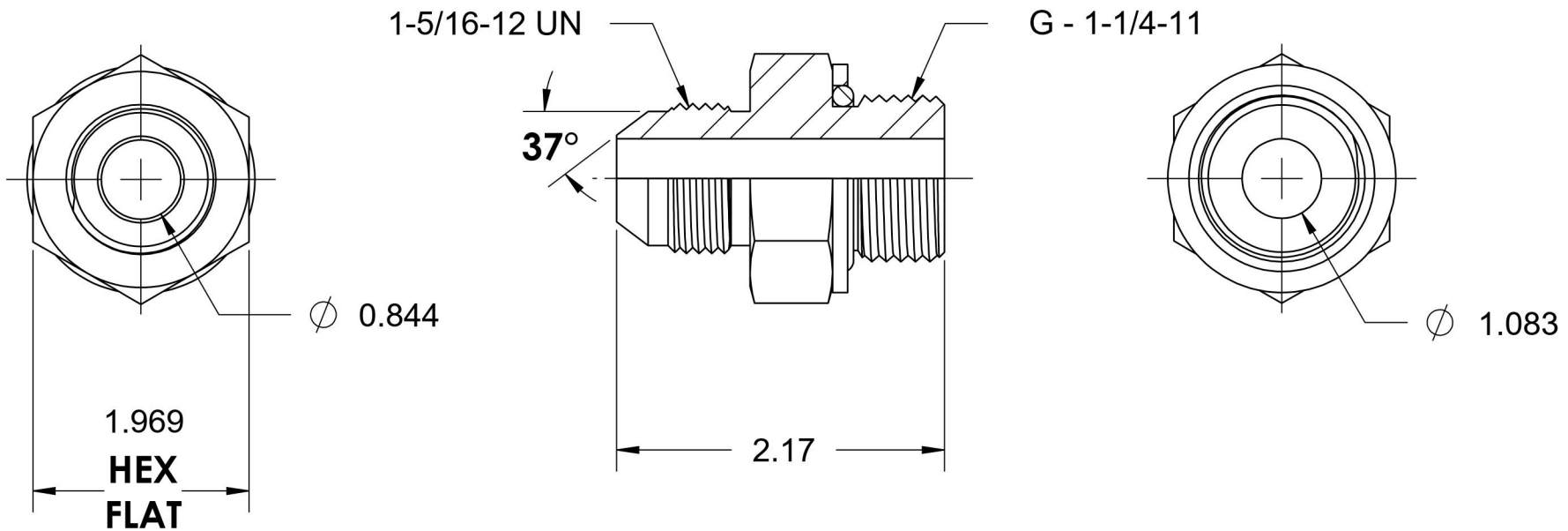
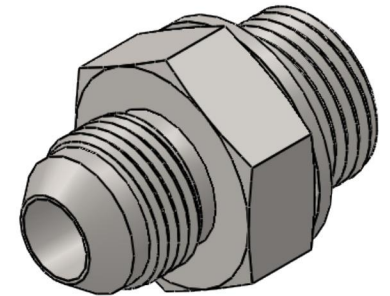


7012-16-20-SS

Stainless Steel, SAE J514 37° Flare Male BSPP Type (G) Port Connector, 1" Male JIC x 1-1/4-11 Male BSPP ORR



6701 Cochran Road
Solon, Ohio 44139
Phone: (440) 248-1880
Toll Free: 1-888-331-1523

Temperature Rating

-40°F to 250°F

Pressure Rating

2500 psi

Material

316/316L Stainless Steel

Finish

Passivated

Industry Standards

SAE J514, ISO 1179

Series

7012-ORR-SS

Series Description

SAE J514 37° Flare Male
BSPP Type (G) Port Connector