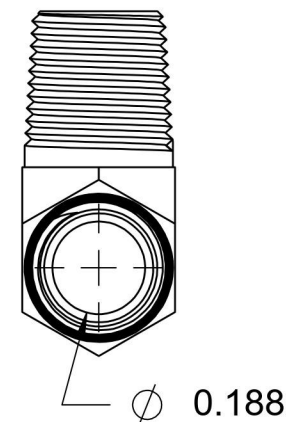
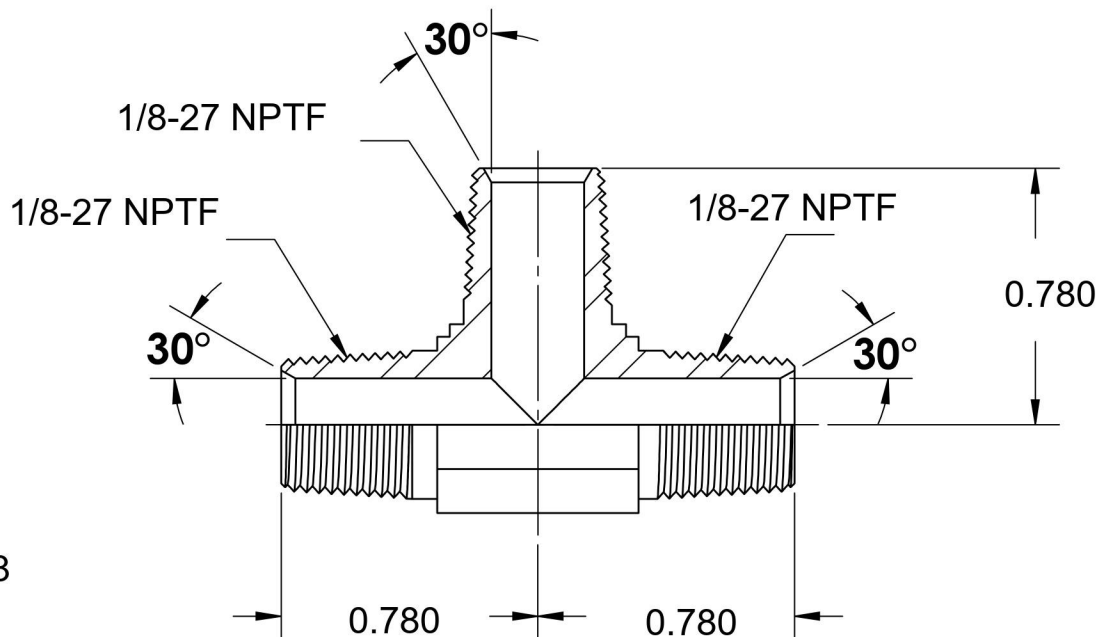
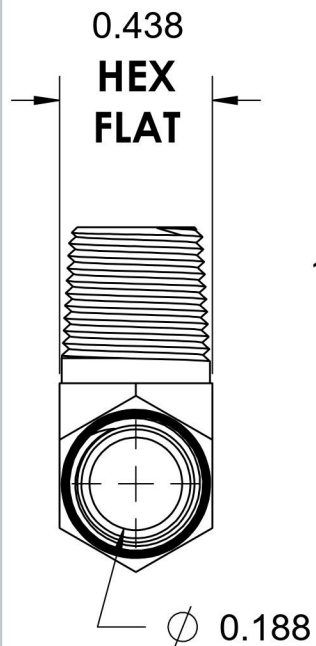
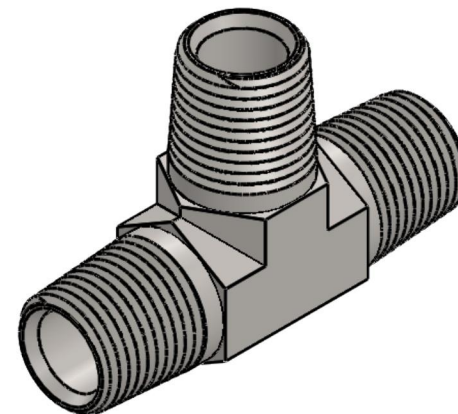
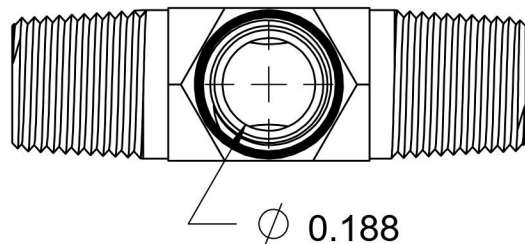


5600-02-02-02-SS

Stainless Steel, SAE J514 Pipe Male Tee, 1/8" Male NPTF 30°



6701 Cochran Road
Solon, Ohio 44139
Phone: (440) 248-1880
Toll Free: 1-888-331-1523

Temperature Rating	-425°F to 1200°F	Material	316/316L Stainless	Industry Standards	SAE J514 , SAE J476	Series	5600-FG
Pressure Rating	6000psi	Finish	Passivation			Series Description	SAE J514 Pipe Male Tee