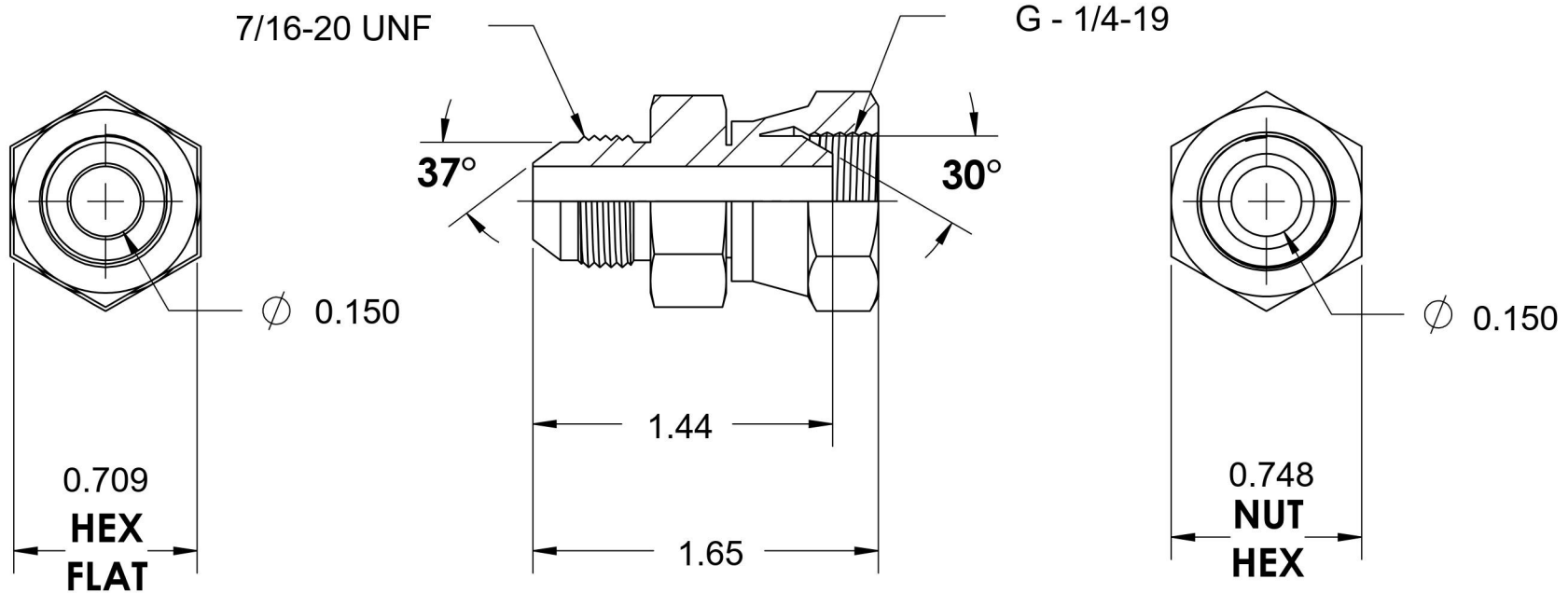
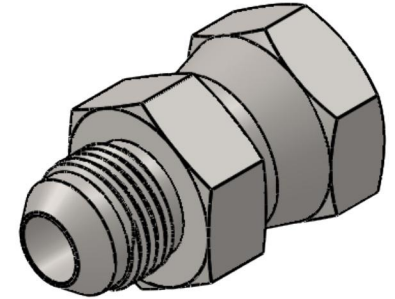


7004-04-04-SS

Stainless Steel, SAE J514 37° Flare BSPP Swivel Line Adapter, 1/4" Male JIC x 1/4-19 Female BSPP Swivel



6701 Cochran Road
Solon, Ohio 44139
Phone: (440) 248-1880
Toll Free: 1-888-331-1523

Temperature Rating -425°F to 1200°F	Material 316/316L Stainless Steel	Industry Standards SAE J514, ISO 8434-6	Series 7004-SS
Pressure Rating 5000 psi	Finish Passivated		Series Description SAE J514 37° Flare BSPP Swivel Line Adapter