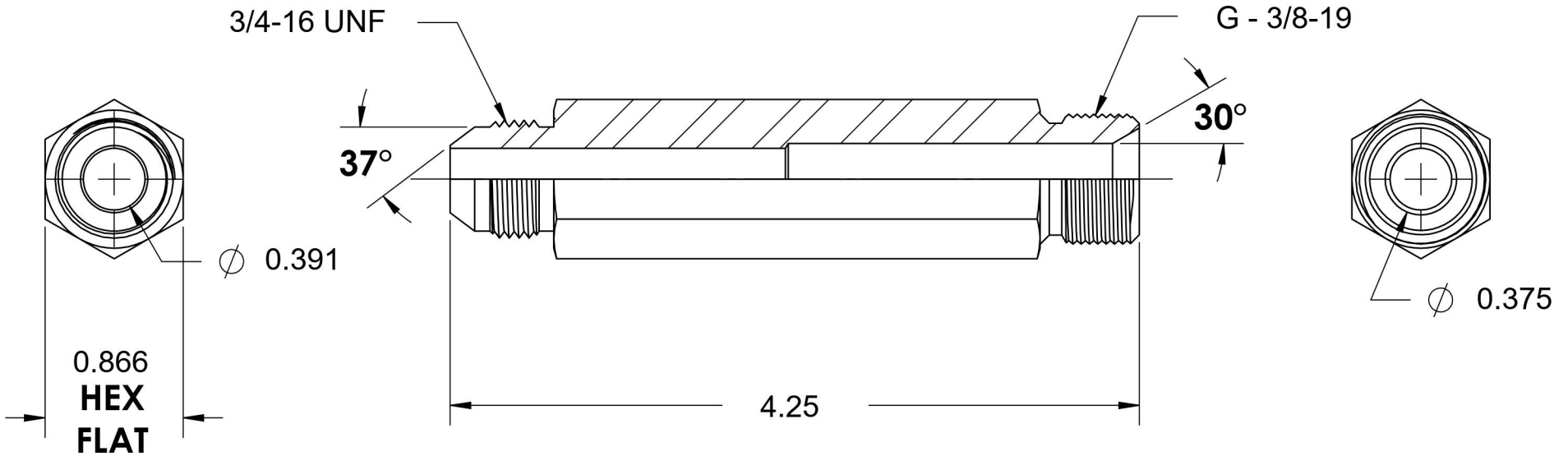
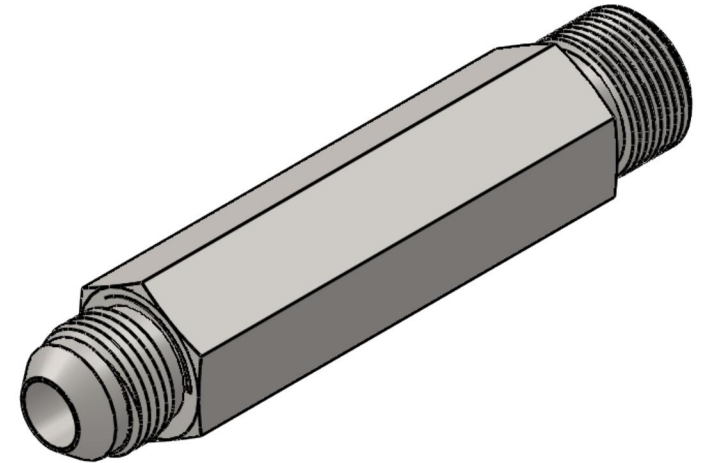


7002-L-08-06

Steel, SAE J514 37° Flare Male BSPP Port/Line Long Connector, 1/2" Male JIC x 3/8-19 Male BSPP 60° Line/Port



6701 Cochran Road
Solon, Ohio 44139
Phone: (440) 248-1880
Toll Free: 1-888-331-1523

| | | | |
|---------------------------|---------------------|---------------------------------|--|
| Temperature Rating | Material | Industry Standards | Series |
| -22°F to 257°F | C1045 / 12L14 Steel | SAE J514, ISO 1179 ASTM B633 | 7002-L |
| Pressure Rating | Finish | | Series Description |
| 2900 psi | Trivalent Zinc | | SAE J514 37° Flare Male BSPP Port/Line Long Connector |