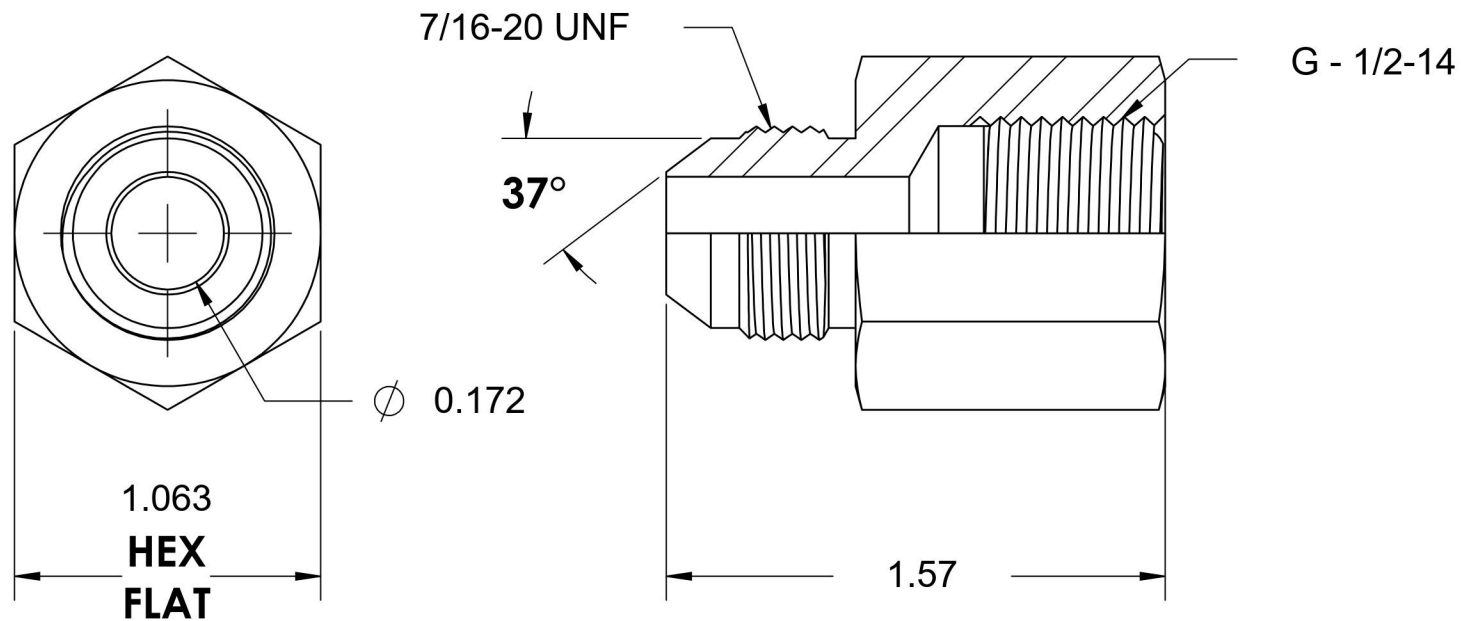
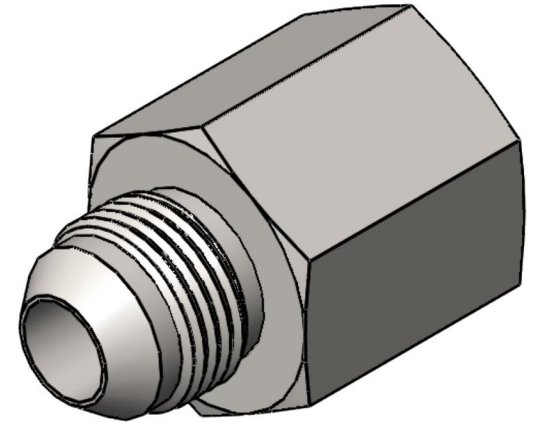


7003-04-08

Steel, SAE J514 37° Flare Female BSPP Port Adapter, 1/4" Male JIC x 1/2-14 Female BSPP



6701 Cochran Road
Solon, Ohio 44139
Phone: (440) 248-1880
Toll Free: 1-888-331-1523

Temperature Rating	Material	Industry Standards	Series
-65°F to 500°F	C1045/12L14 Steel	SAE J514, ISO 1179	7003
Pressure Rating	Finish	ASTM B633	Series Description
5000 psi	Trivalent Zinc		SAE J514 37° Flare Female BSPP Port Adapter