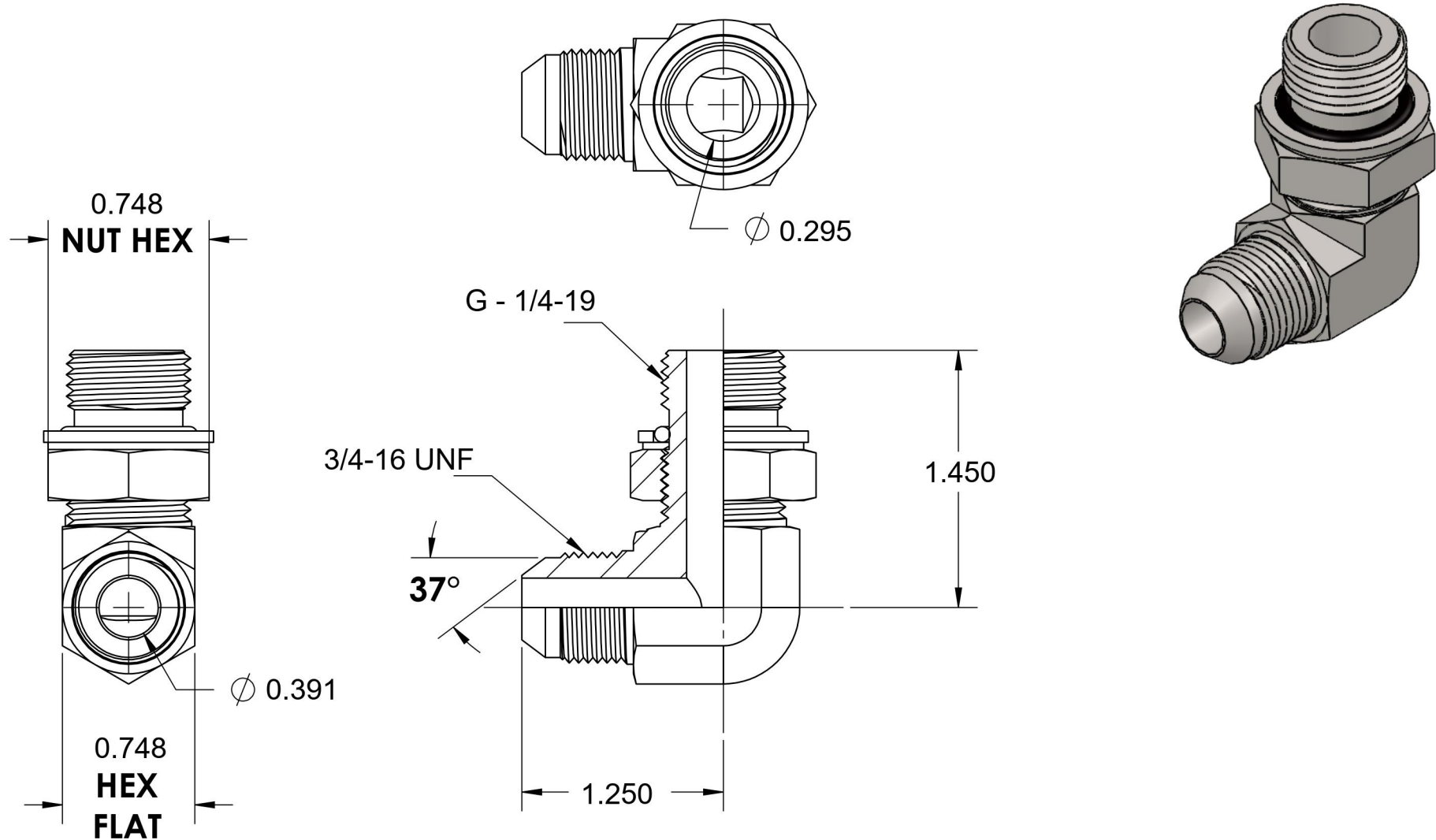


7202-08-04-NWO-SS-VITON

Stainless Steel, SAE J514 37° Flare Male BSPP Adjustable (Type H) Port 90° Elbow, 1/2" Male JIC x 1/4-19 Male BSPP Adjustable ORR, FKM Seal



6701 Cochran Road
Solon, Ohio 44139
Phone: (440) 248-1880
Toll Free: 1-888-331-1523

Temperature Rating	Material	Industry Standards SAE J514, ISO 1179	Series 7202-NWO-SS-ORR
-15°F to 400°F	316/316L Stainless Steel		
Pressure Rating	Finish	Series Description	
3600 psi	Passivated	SAE J514 37° Flare Male BSPP Adjustable (Type H) Port 90° Elbow	