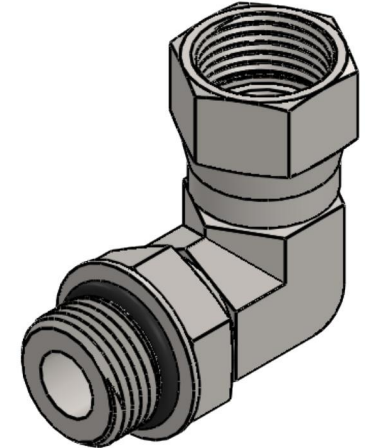
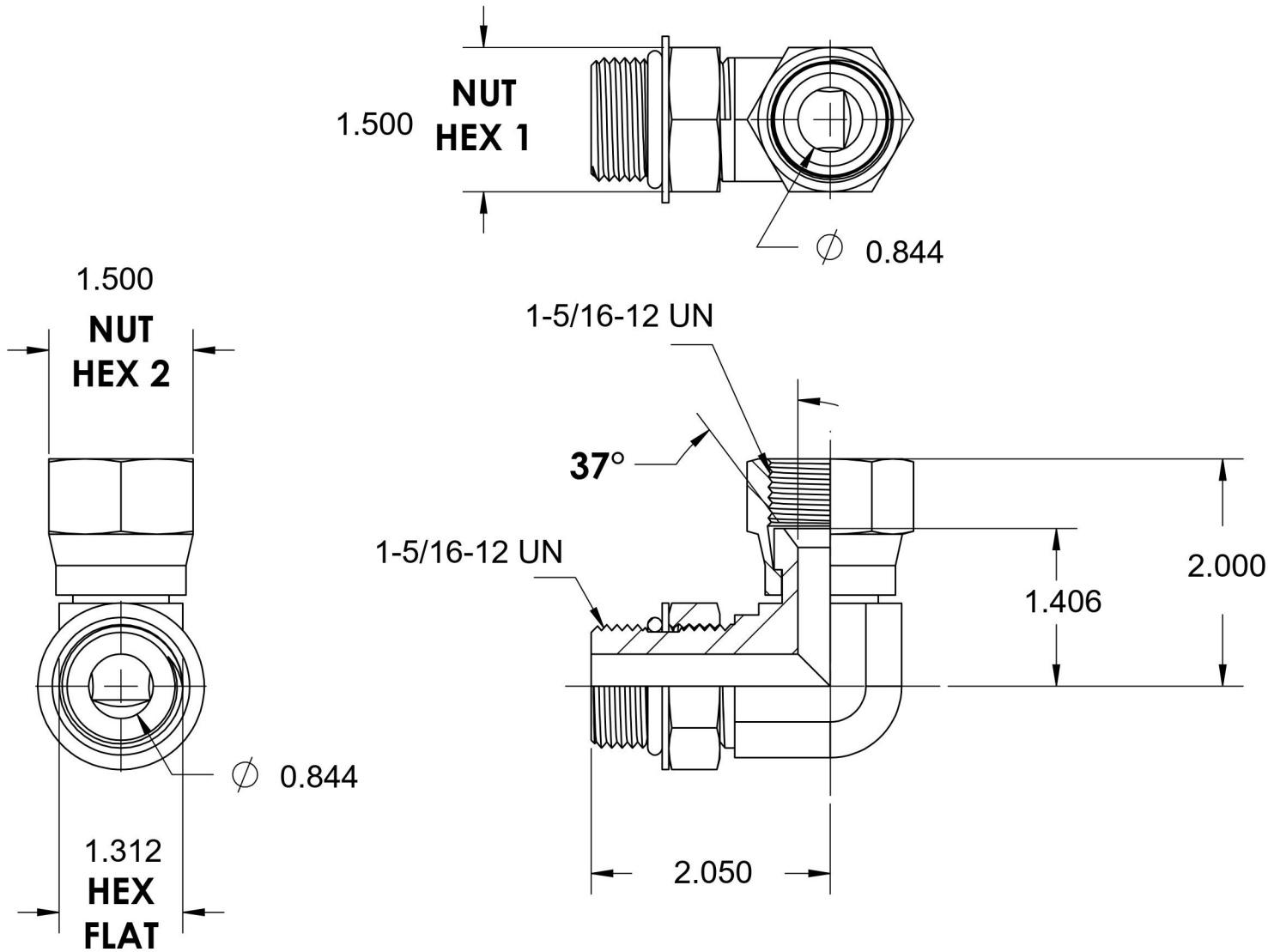


6809-16-16-NWO-SS

Stainless Steel, SAE J514 37° Flare Swivel 90° Adjustable Port Elbow, 1-5/16-12 Male Adjustable ORB x 1" Female JIC Swivel



6701 Cochran Road
Solon, Ohio 44139
Phone: (440) 248-1880
Toll Free: 1-888-331-1523

Temperature Rating

-40°F to 250°F

Pressure Rating

3000 psi

Material

316/316L Stainless Steel

Finish

Passivated

Industry Standards

SAE J1926, SAE J514

Series

6809-NWO-FG

Series Description

SAE J514 37° Flare Swivel 90° Adjustable Port Elbow