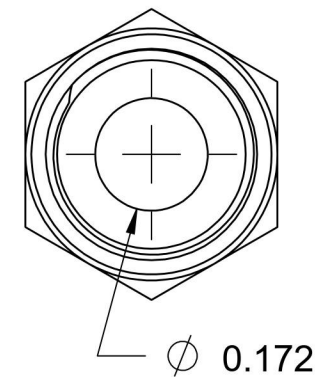
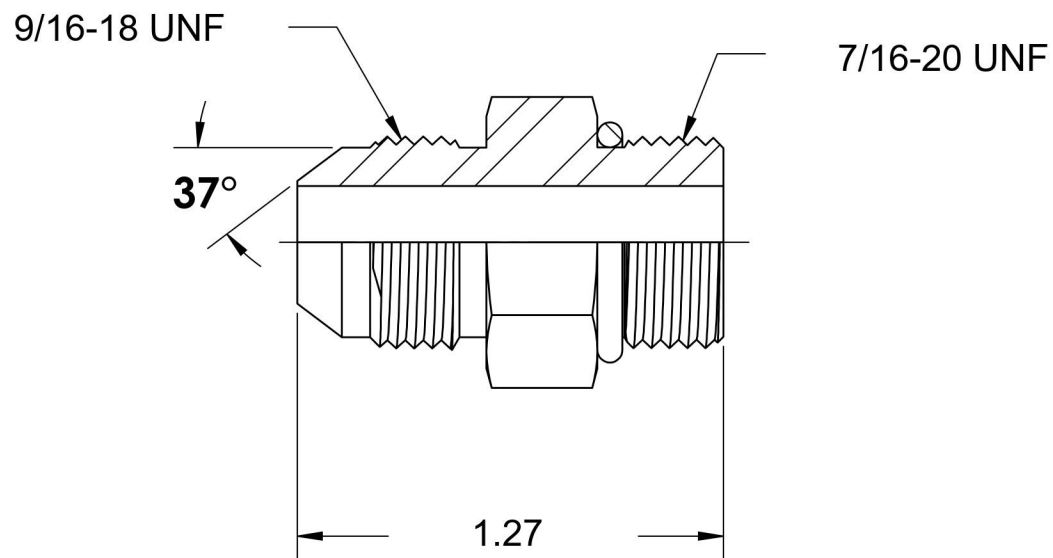
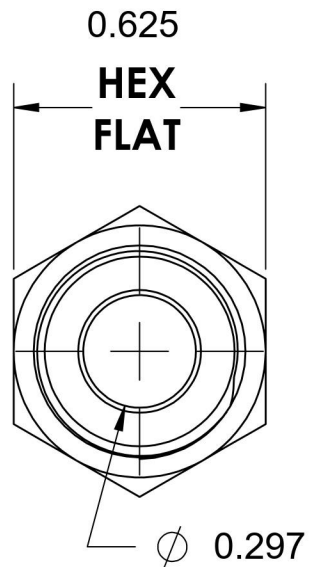


# 6400-06-04-O-VITON

Steel, SAE J514 37° Flare Port Connector, 3/8" Male JIC x 7/16-20 Male ORB, FKM Seal



6701 Cochran Road  
Solon, Ohio 44139  
Phone: (440) 248-1880  
Toll Free: 1-888-331-1523

|                           |                     |                           |                                   |
|---------------------------|---------------------|---------------------------|-----------------------------------|
| <b>Temperature Rating</b> | <b>Material</b>     | <b>Industry Standards</b> | <b>Series</b>                     |
| -15°F to 400°F            | C1045 / 12L14 Steel | SAE J514, SAE J1926-3     | 6400-O-VITON                      |
| <b>Pressure Rating</b>    | <b>Finish</b>       | ASTM B633                 | <b>Series Description</b>         |
| 6000 psi                  | Trivalent Zinc      |                           | SAE J514 37° Flare Port Connector |