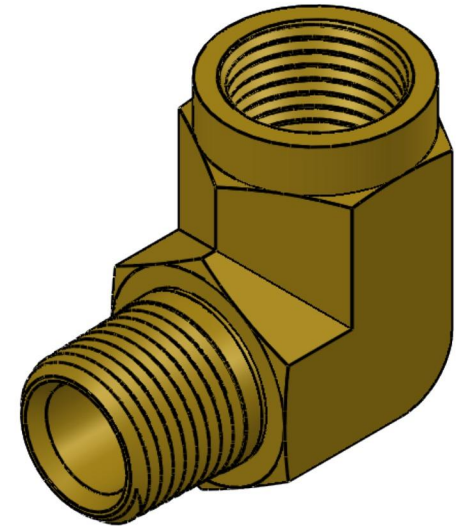
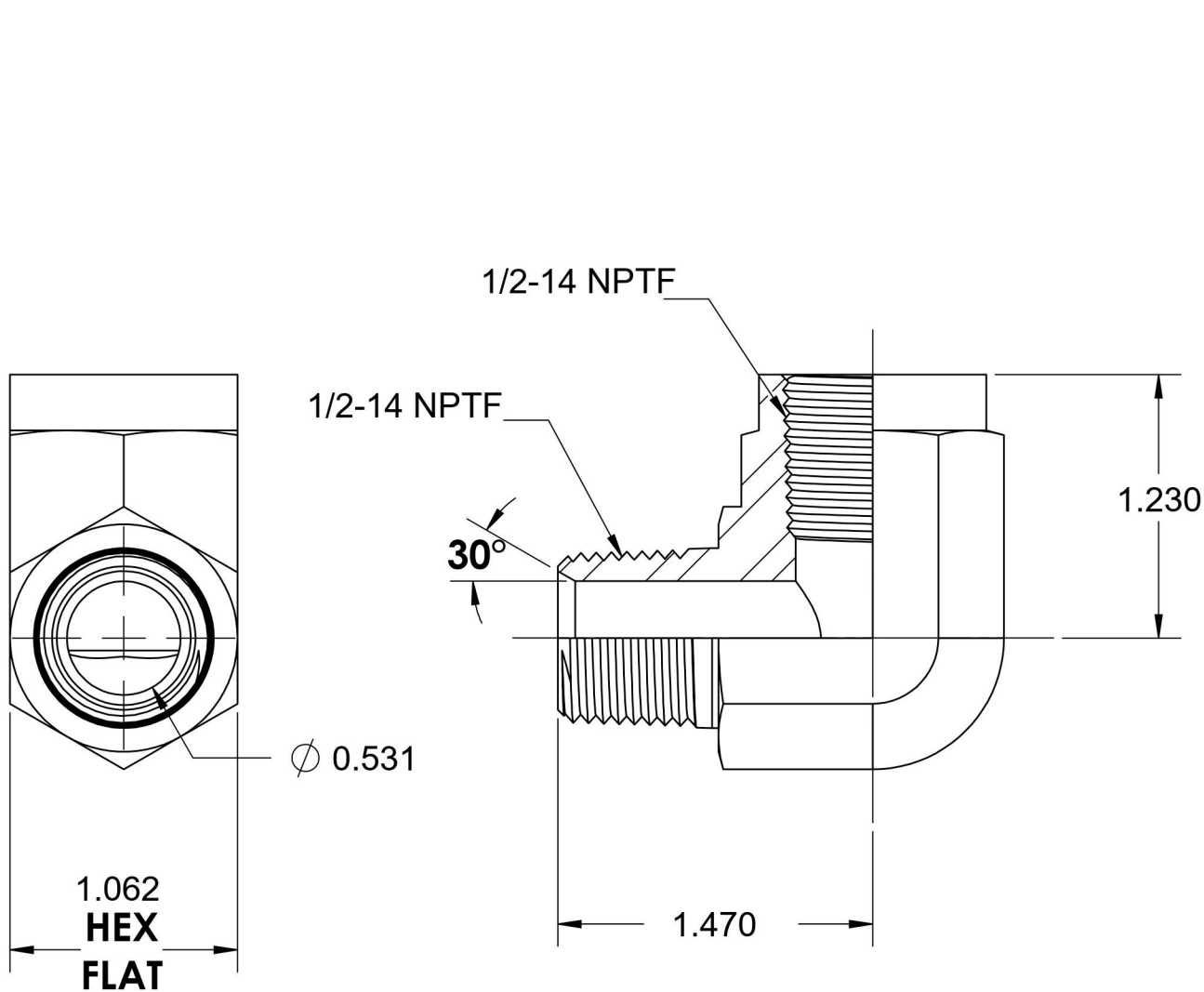


# 5502-08-08-B

Brass, SAE J514 Pipe 90° Street Elbow, 1/2" Male NPTF 30° x 1/2" Female NPTF



6701 Cochran Road  
Solon, Ohio 44139  
Phone: (440) 248-1880  
Toll Free: 1-888-331-1523

#### Temperature Rating

-325°F to 400°F

#### Pressure Rating

1900 psi

#### Material

CA37700 Brass

#### Finish

Natural Finish

#### Industry Standards

SAE J514 , SAE J476

#### Series

5502-B

#### Series Description

SAE J514 Pipe 90° Street Elbow