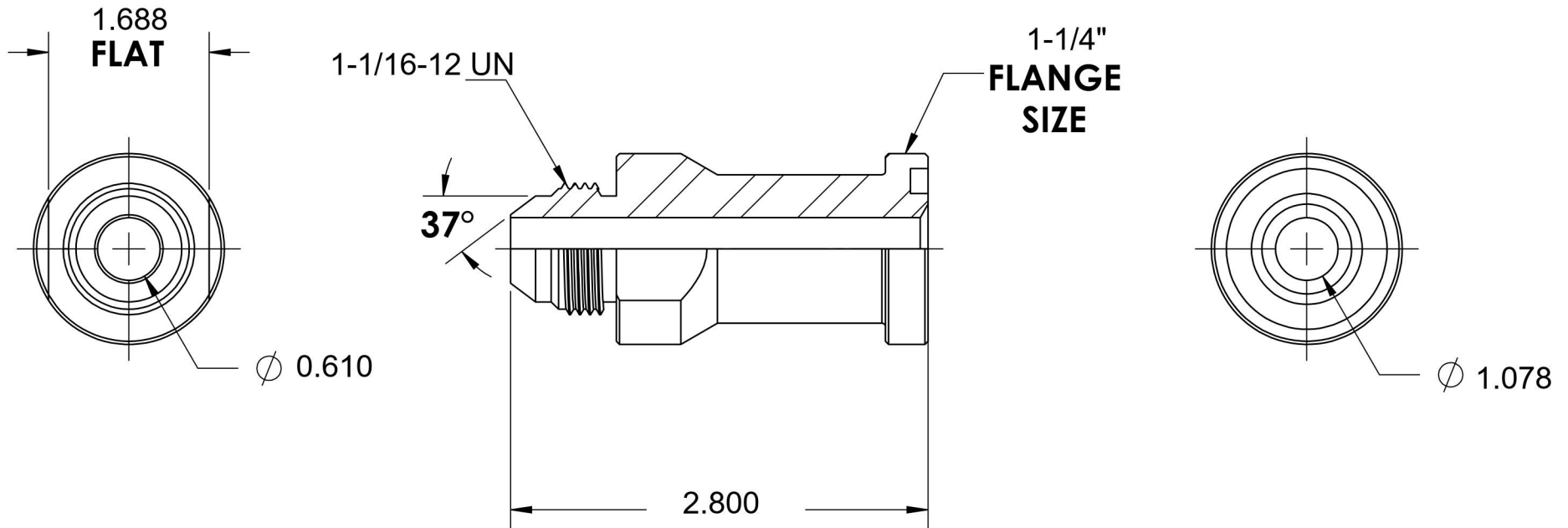
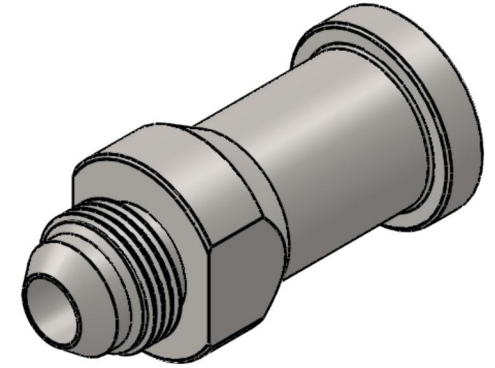


1700-12-20

Steel, SAE J514 37° Flare Code 61 Flange Adapter, 3/4" Male JIC x 1-1/4" Split Flange Head



6701 Cochran Road
Solon, Ohio 44139
Phone: (440) 248-1880
Toll Free: 1-888-331-1523

Temperature Rating -65°F to 500°F	Material 12L14/C1045 Steel	Industry Standards SAE J518 Code 61 SAE J514, ASTM B633	Series 1700
Pressure Rating 4000 psi	Finish Trivalent Zinc		Series Description SAE J514 37° Flare Code 61 Flange Adapter