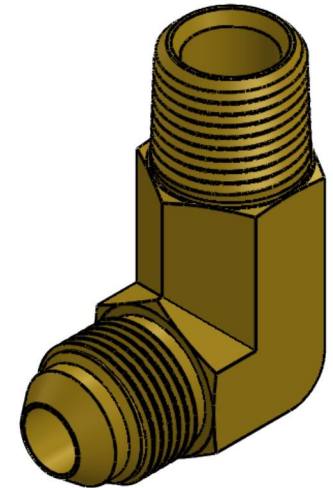
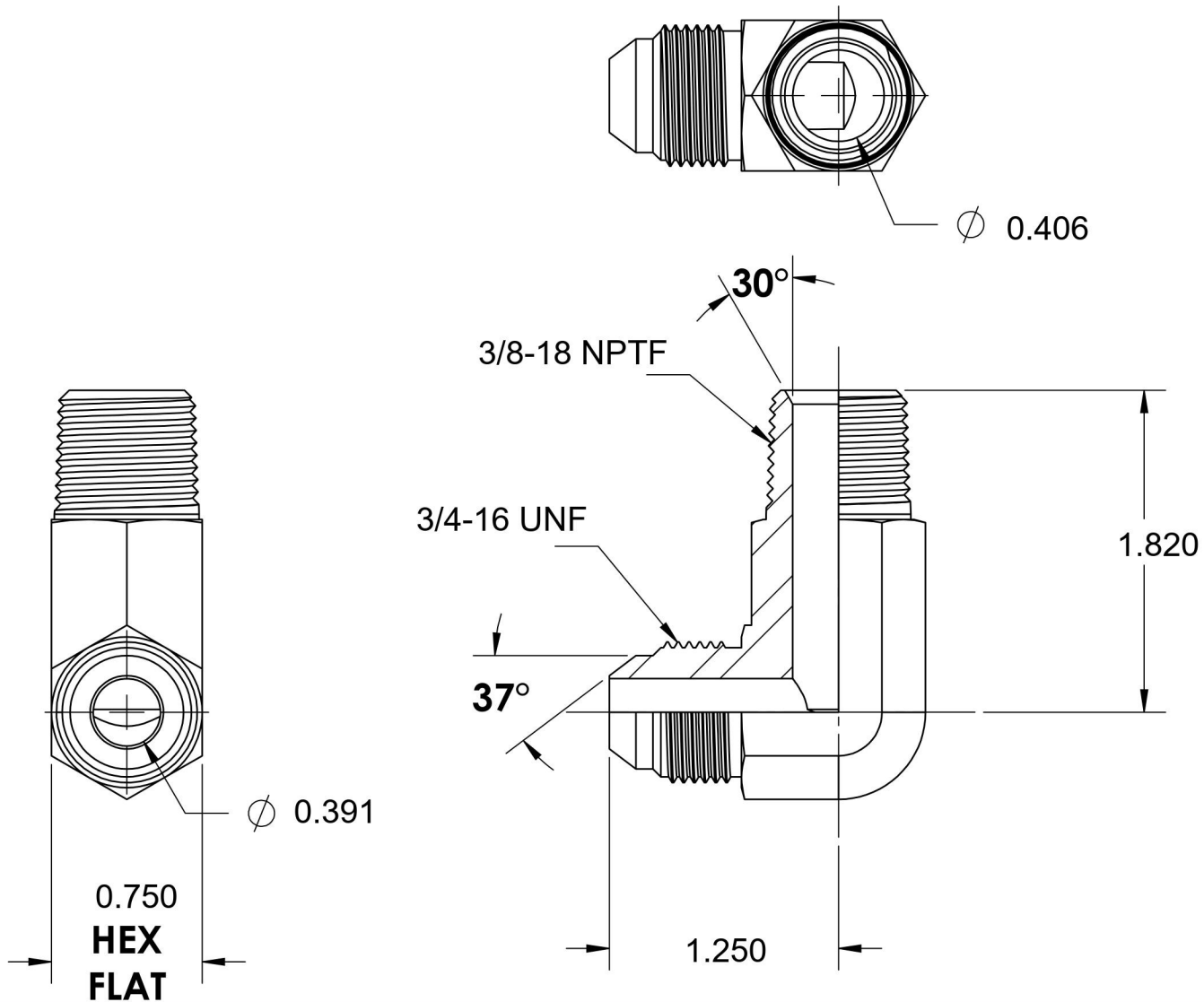


# 2501-L-08-06-B

Brass, SAE J514 37° Flare 90° Long Male Elbow, 1/2" Male JIC x 3/8" Male NPTF 30°



6701 Cochran Road  
Solon, Ohio 44139  
Phone: (440) 248-1880  
Toll Free: 1-888-331-1523

<b>Temperature Rating</b>	<b>Material</b>	<b>Industry Standards</b>	<b>Series</b>
-325°F to 400°F	CA377 Brass	SAE J514 , SAE J476	2501-L-FG
<b>Pressure Rating</b>	<b>Finish</b>		<b>Series Description</b>
3300 psi	Natural Finish		SAE J514 37° Flare 90° Long Male Elbow