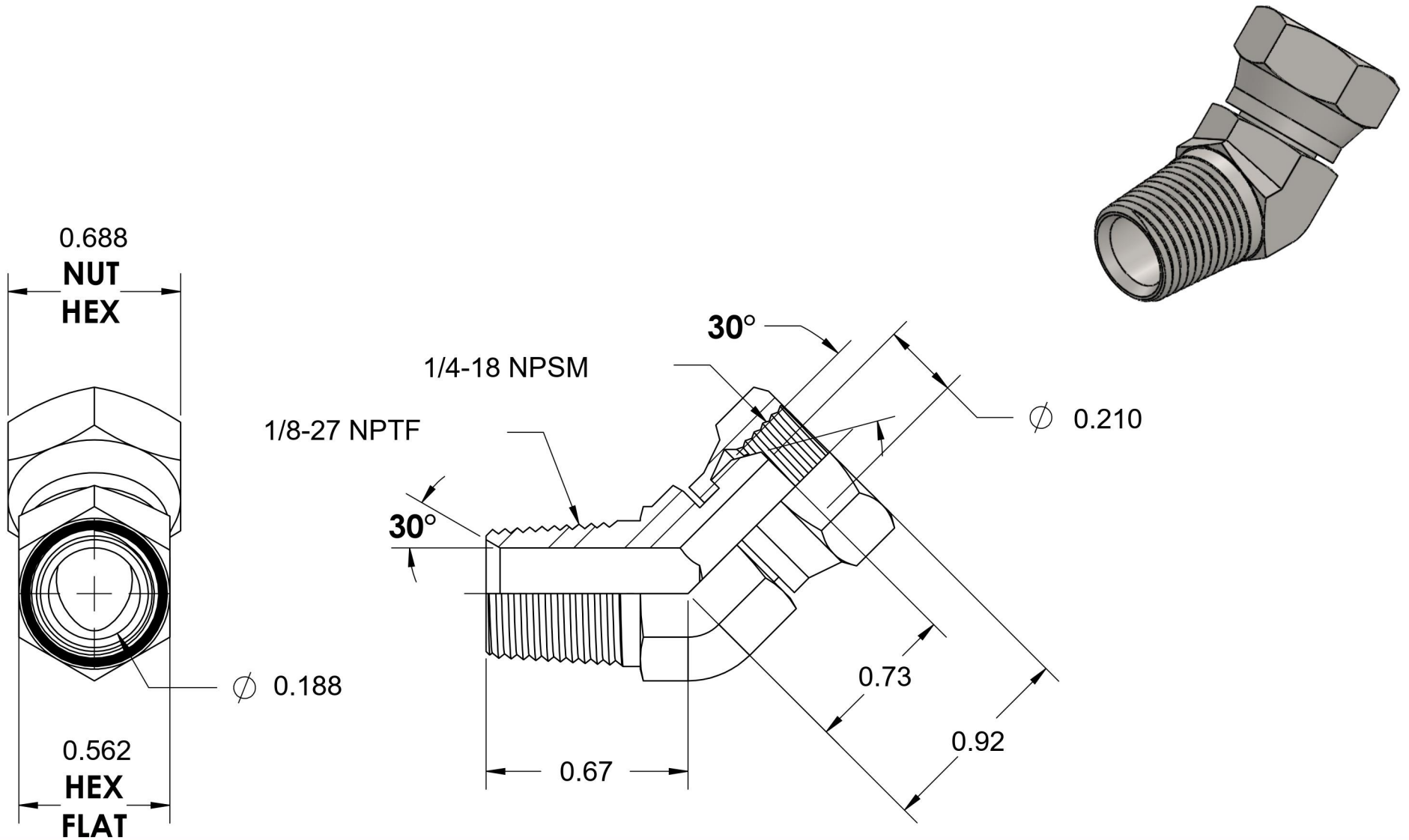


1503-02-04-FG

Steel, SAE J514 NPSM Swivel 45° Male Elbow, 1/8" Male NPTF 30° x 1/4" Female NPSM Swivel



6701 Cochran Road
Solon, Ohio 44139
Phone: (440) 248-1880
Toll Free: 1-888-331-1523

| | | | |
|---------------------------|-----------------|---------------------------------|--|
| Temperature Rating | Material | Industry Standards | Series |
| -65°F to 500°F | C1045 Steel | SAE J514, SAE J476 ASTM B633 | 1503-FG |
| Pressure Rating | Finish | | Series Description |
| 6000 psi | Trivalent Zinc | | SAE J514 NPSM Swivel 45° Male Elbow |