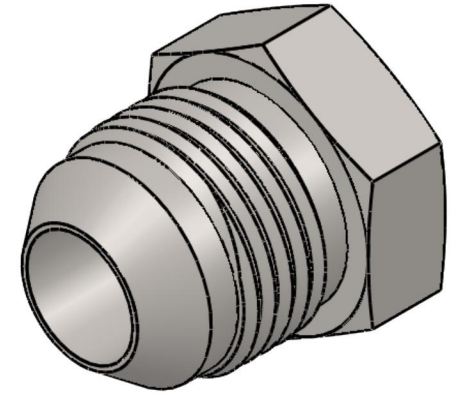
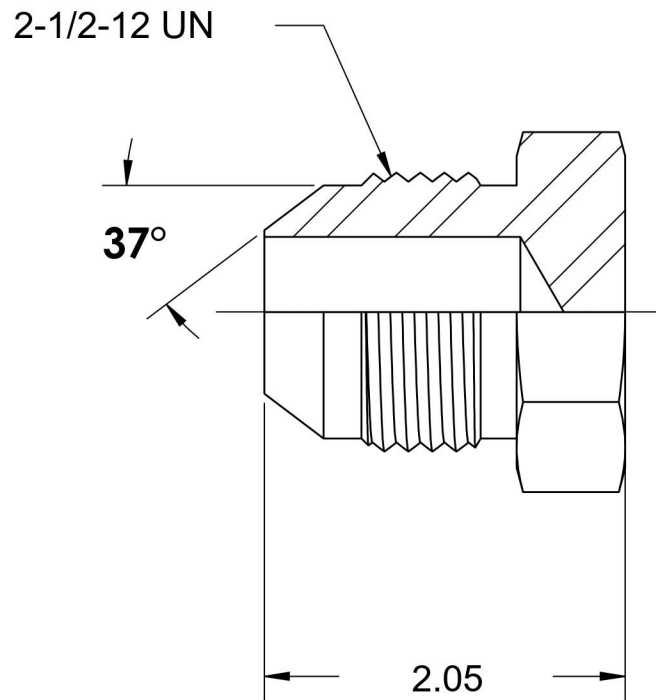
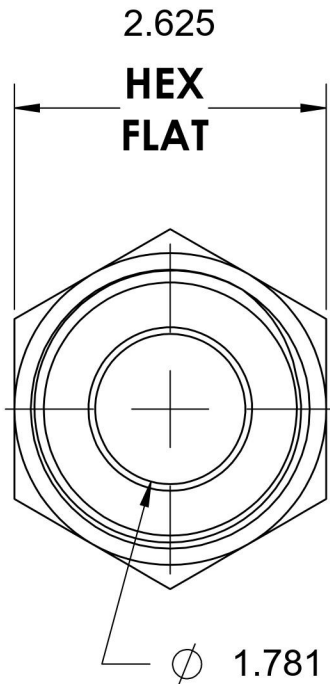


# 2408-32

Steel, SAE J514 37° Flare Plug, 2" Male JIC



6701 Cochran Road  
Solon, Ohio 44139  
Phone: (440) 248-1880  
Toll Free: 1-888-331-1523

**Temperature Rating**

-65°F to 500°F

**Material**

C1045/12L14 Steel

**Industry Standards**

SAE J514, ASTM B633

**Series**

2408

**Pressure Rating**

2000 psi

**Finish**

Trivalent Zinc

**Series Description**

SAE J514 37° Flare Plug