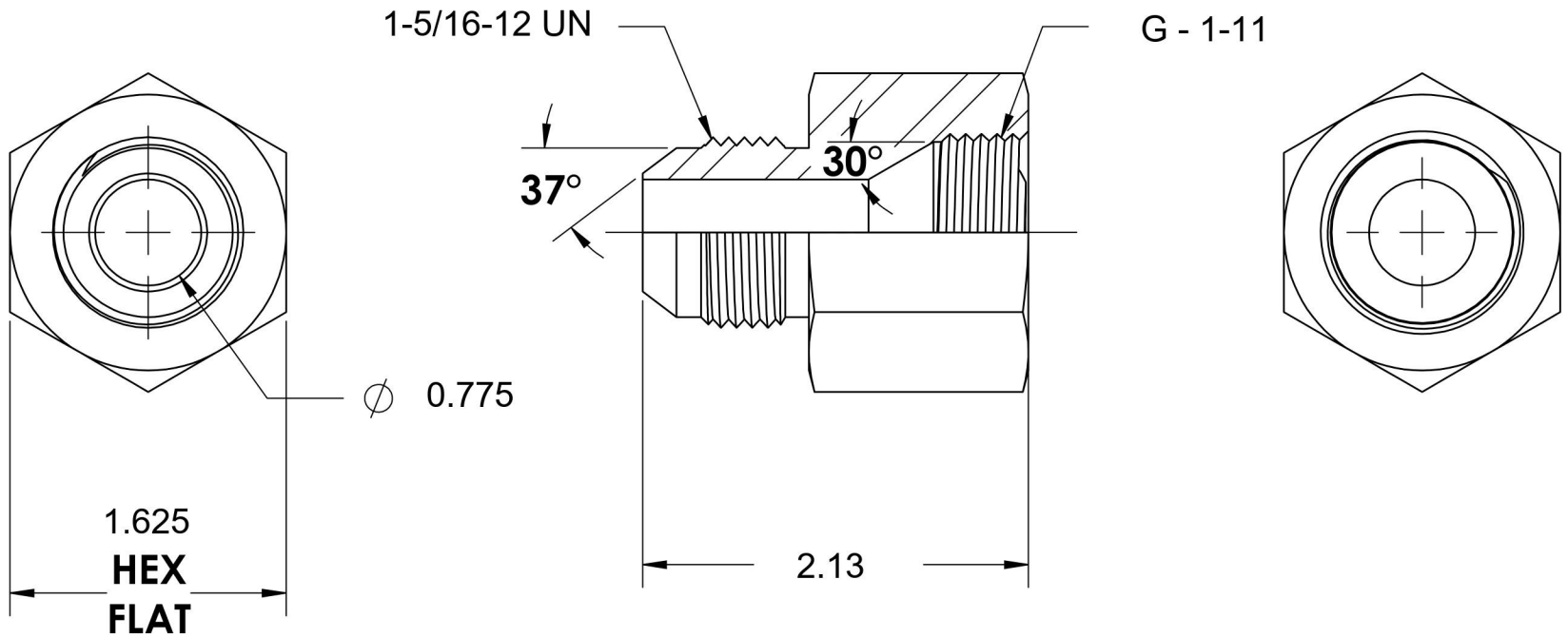
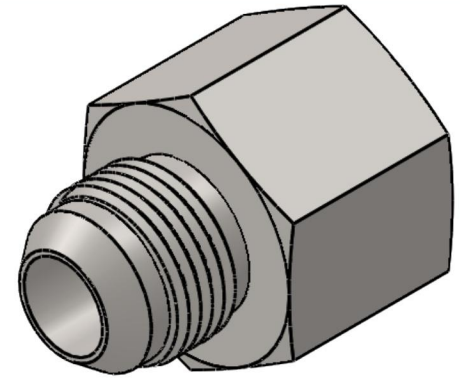


7008-F-16-16

Steel, SAE J514 37° Flare Female JIS Adapter, 1" Male JIC x 1-11 Female JIS



6701 Cochran Road
Solon, Ohio 44139
Phone: (440) 248-1880
Toll Free: 1-888-331-1523

Temperature Rating	Material	Industry Standards	Series
-65°F to 500°F	C1045 / 12L14 Steel	SAE J514, JIS B 0202	7008-F
Pressure Rating	Finish	ASTM B633	Series Description
3000 psi	Trivalent Zinc		SAE J514 37° Flare Female JIS Adapter