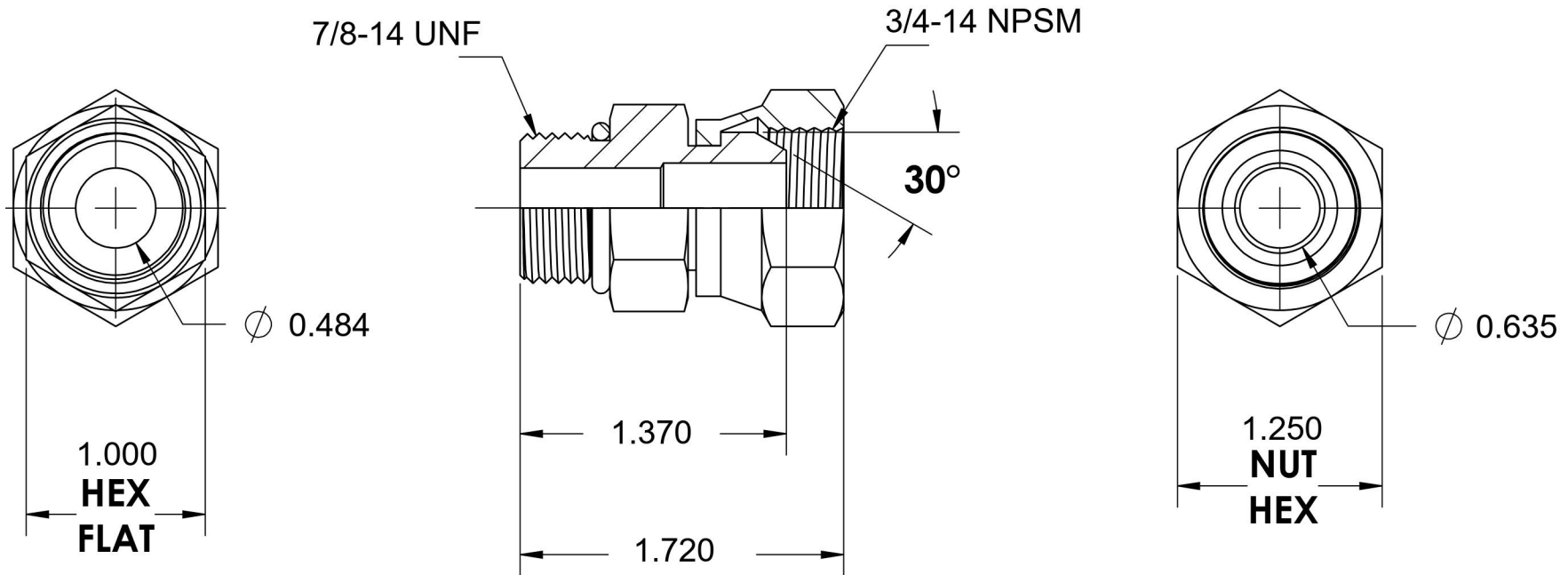
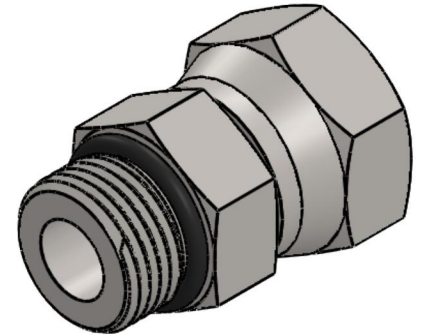


6900-10-12-O-SS

Stainless Steel, SAE J514 NPSM Swivel Port Connector, 7/8-14 Male ORB x 3/4" Female NPSM Swivel



6701 Cochran Road
Solon, Ohio 44139
Phone: (440) 248-1880
Toll Free: 1-888-331-1523

Temperature Rating	Material	Industry Standards	Series
-40°F to 250°F	316/316L Stainless Steel	SAE J514, SAE J476 SAE J1926-3, SAE J515	6900-O-SS
Pressure Rating	Finish		Series Description
4000 psi	Passivated		SAE J514 NPSM Swivel Port Connector