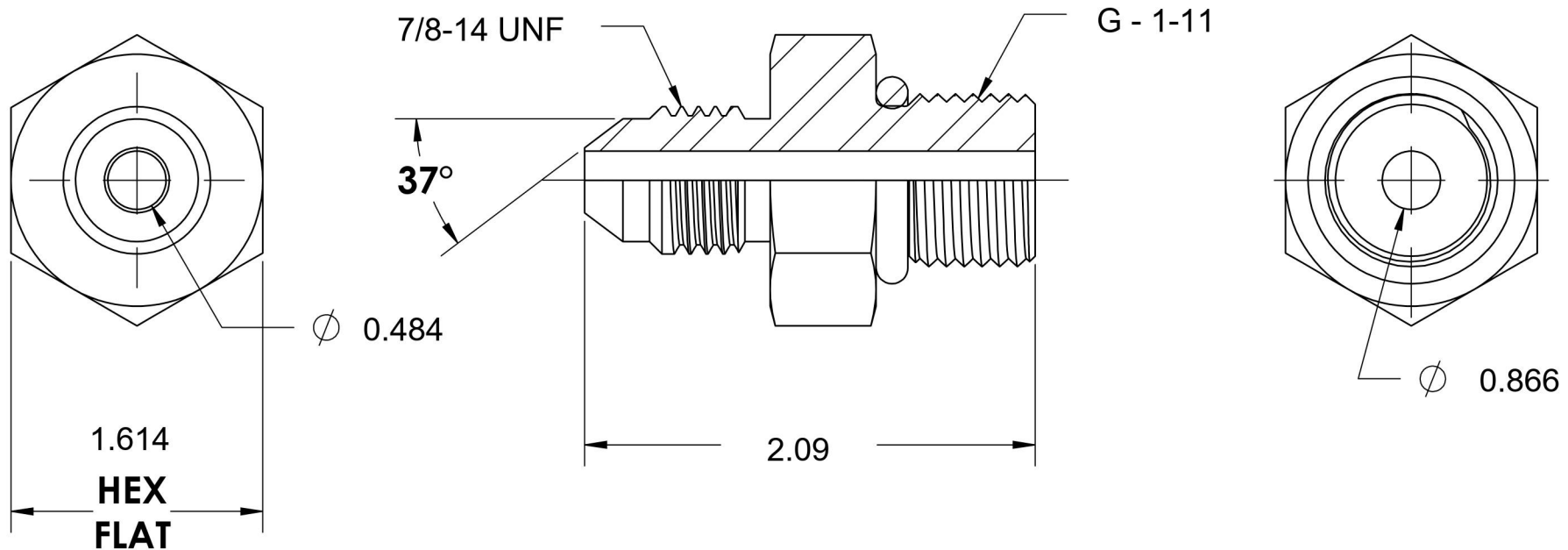
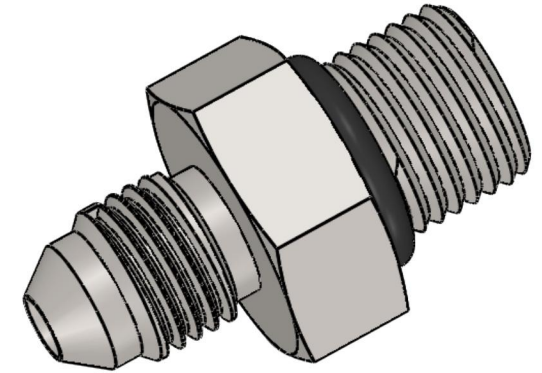


7002-10-16-B2351

Steel, SAE J514 37° Flare Male BSPP (JIS B2351) Port Connector, 5/8" Male JIC x 1-11 Male BSPP ORB



6701 Cochran Road
Solon, Ohio 44139
Phone: (440) 248-1880
Toll Free: 1-888-331-1523

Temperature Rating

-40°F to 250°F

Pressure Rating

3000 psi

Material

C1045/12L14 Steel

Finish

Trivalent Zinc

Industry Standards

SAE J514, JIS B2351

ASTM B633

Series

7002-JIS B2351

Series Description

SAE J514 37° Flare Male BSPP
(JIS B2351) Port Connector