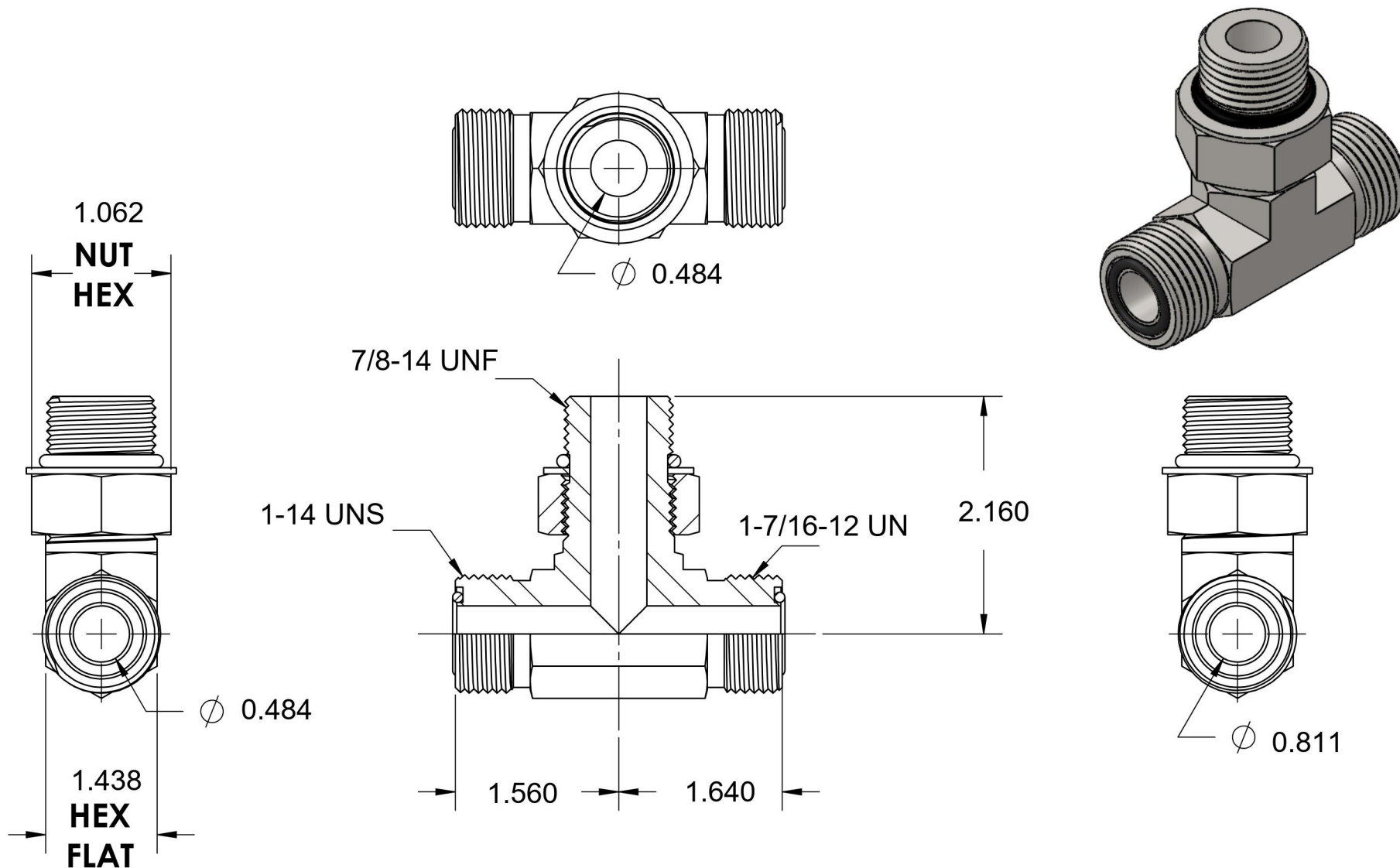


FS6803-10-16-10-NWO-FG

Steel, SAE J1453 O-Ring Face Seal Adjustable Port Branch Tee, 5/8" Male ORFS x 1" Male ORFS x 7/8-14 Male Adjustable ORB



6701 Cochran Road
Solon, Ohio 44139
Phone: (440) 248-1880
Toll Free: 1-888-331-1523

Temperature Rating

-40°F to 250°F

Pressure Rating

5500 psi

Material

C1045 Steel

Finish

Trivalent Zinc

Industry Standards

SAE J1453, SAE J1926-2
SAE J515, ASTM B633

Series

FS6803-NWO-FG

Series Description

SAE J1453 O-Ring Face Seal
Adjustable Port Branch Tee