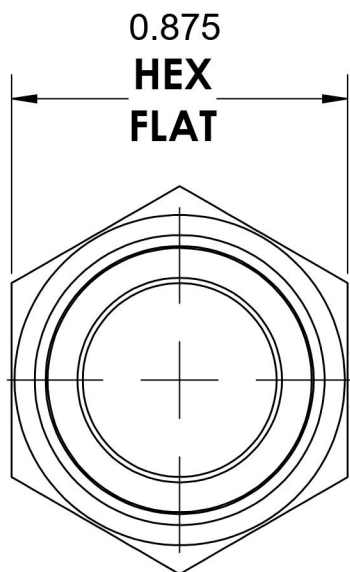
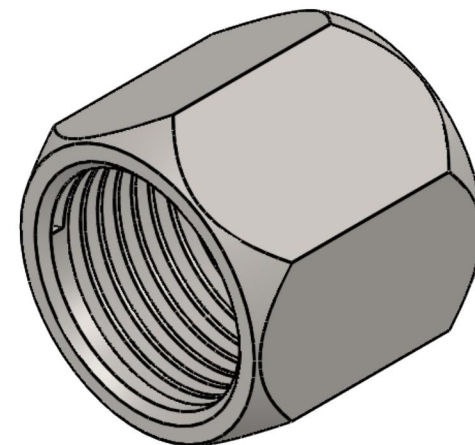
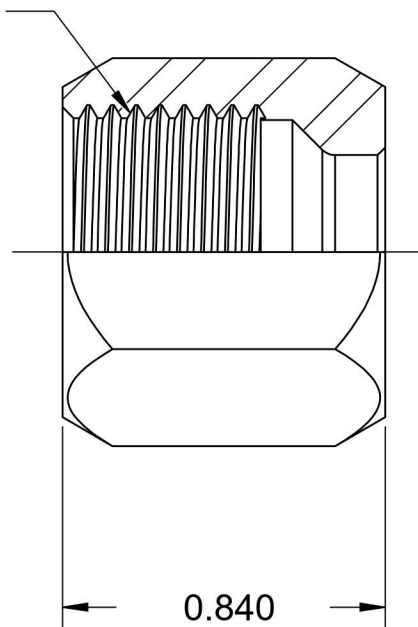


C0318-08-SS

Stainless Steel, SAE J514 Flareless Tube Nut, 1/2" Flareless Bite Type Nut



3/4-16 UNF



6701 Cochran Road
Solon, Ohio 44139
Phone: (440) 248-1880
Toll Free: 1-888-331-1523

| | | | |
|---------------------------|--------------------|---------------------------|-----------------------------|
| Temperature Rating | Material | Industry Standards | Series |
| -425°F to 1200°F | 316/316L Stainless | SAE J514 | C0318 |
| Pressure Rating | Finish | | Series Description |
| Not Applicable | Passivation | | SAE J514 Flareless Tube Nut |