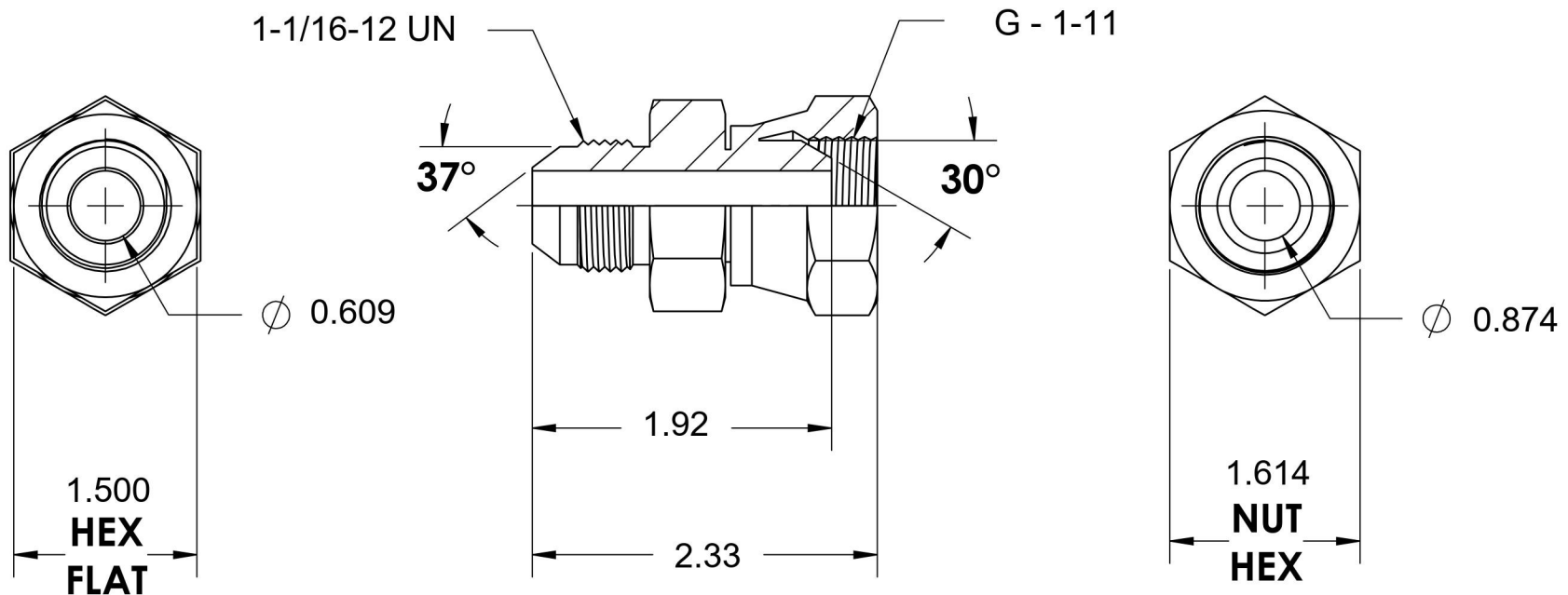
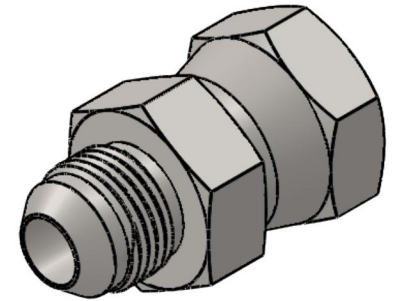


7004-12-16

Steel, SAE J514 37° Flare BSPP Swivel Line Adapter, 3/4" Male JIC x 1-11 Female BSPP Swivel



6701 Cochran Road
Solon, Ohio 44139
Phone: (440) 248-1880
Toll Free: 1-888-331-1523

Temperature Rating	Material	Industry Standards	Series
-65°F to 500°F	C1045 / 12L14 Steel	SAE J514, ISO 8434-6	7004
Pressure Rating	Finish	ASTM B633	Series Description
3000 psi	Trivalent Zinc		SAE J514 37° Flare BSPP Swivel Line Adapter