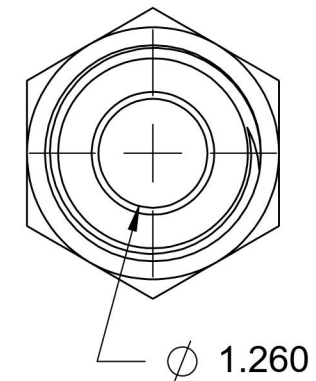
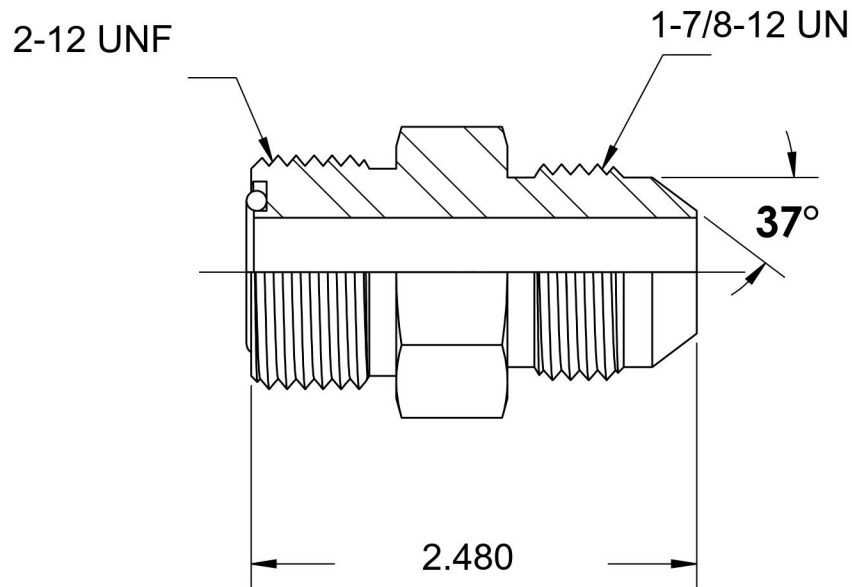
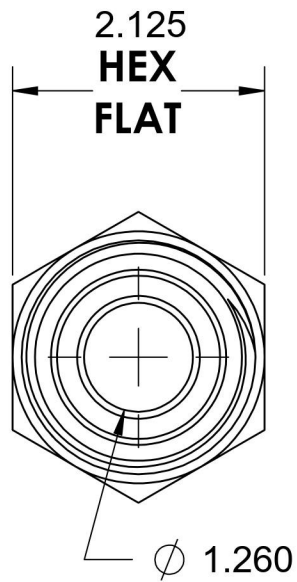
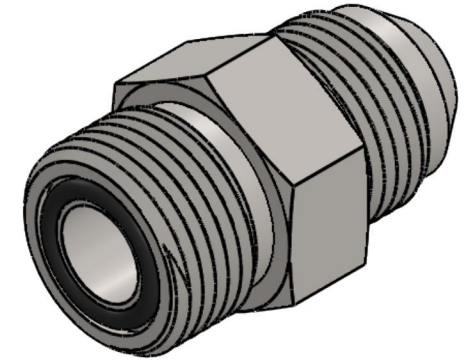


FS6403-24-24

Steel, SAE J1453/J514 Conversion Adapter, 1-1/2" Male ORFS x 1-1/2" Male JIC



6701 Cochran Road
Solon, Ohio 44139
Phone: (440) 248-1880
Toll Free: 1-888-331-1523

Temperature Rating

-40°F to 250°F

Pressure Rating

3000 psi

Material

C1045/12L14 Steel

Finish

Trivalent Zinc

Industry Standards

SAE J1453, SAE J514
SAE J515, ASTM B633

Series

FS6403

Series Description

SAE J1453 O-Ring Face Seal
Male Flared Adapter